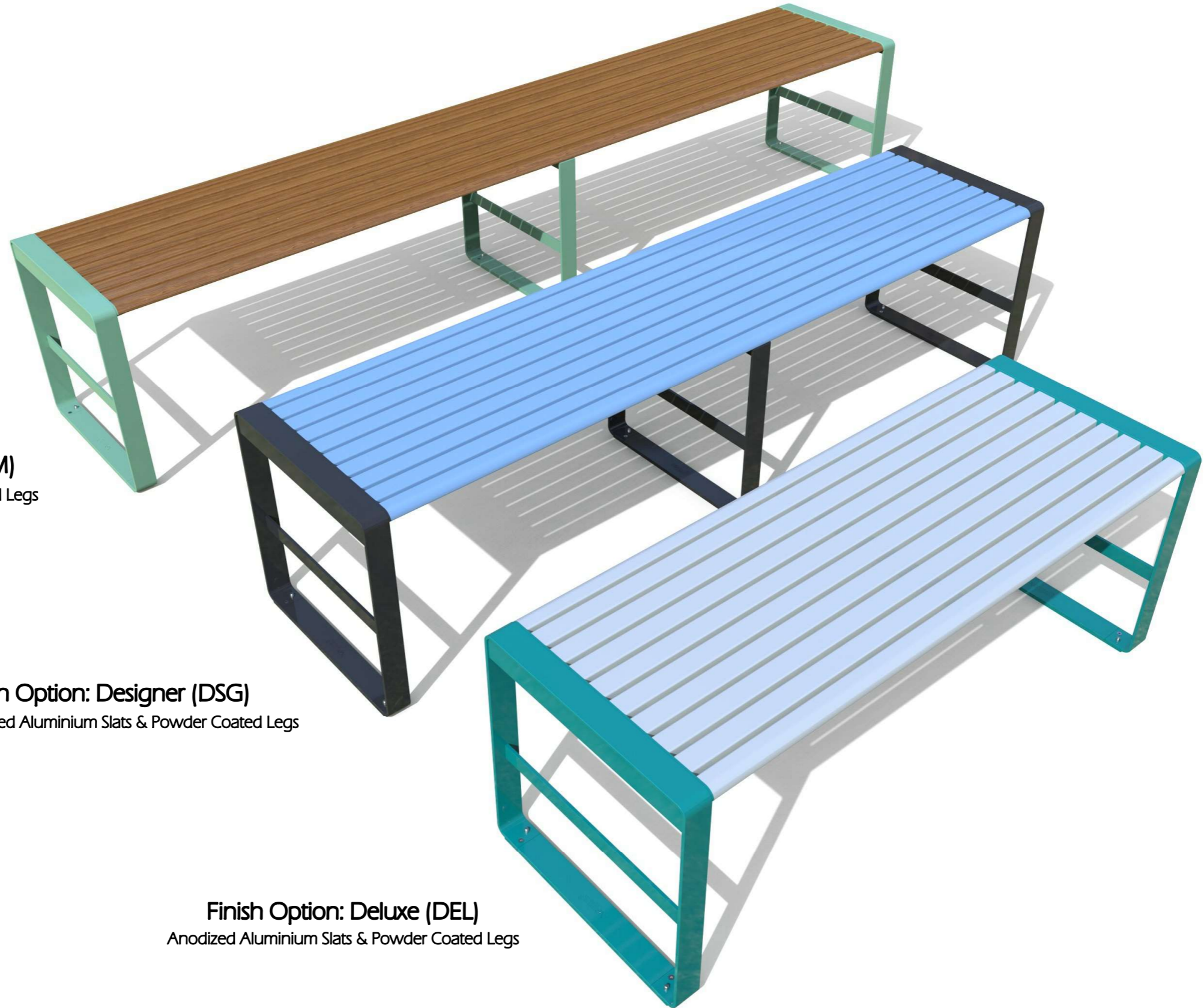


MODA TABLE - VARIOUS LENGTHS & FINISHES



Finish Option: Timber Image (TIM)
Timber Image Aluminium Slats & Powder Coated Legs

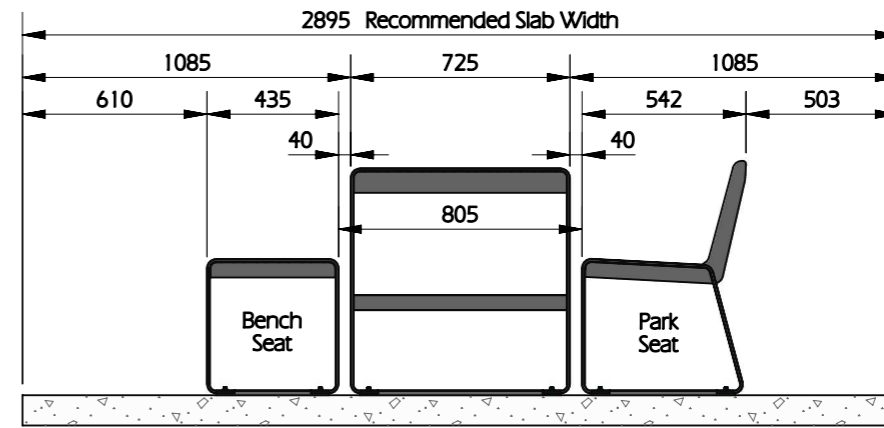
Finish Option: Designer (DSG)
Powder Coated Aluminium Slats & Powder Coated Legs

Finish Option: Deluxe (DEL)
Anodized Aluminium Slats & Powder Coated Legs

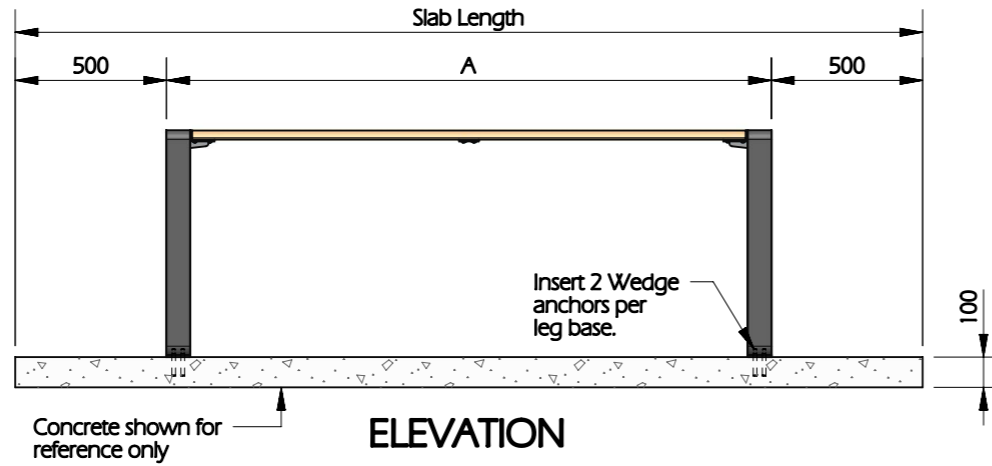
Table Lengths - 2 Legs

| Table Length (A) | Slab Length |
|------------------|-------------|
| 1000mm | 2000mm |
| 2000mm | 3000mm |

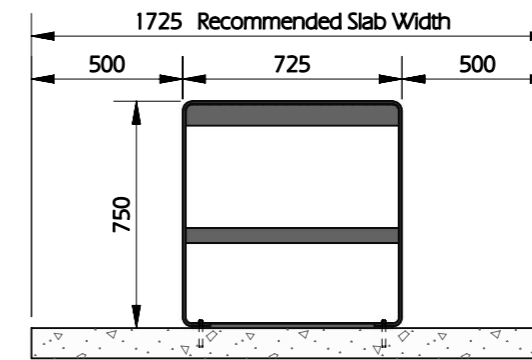
Dimensions in table above are nominal



SIDE VIEW - WITH SEATS



ELEVATION

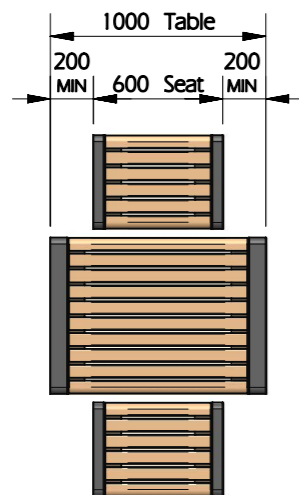


SIDE VIEW - NO SEATS

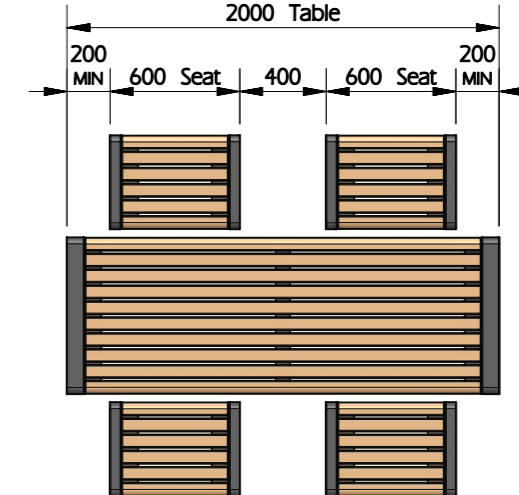
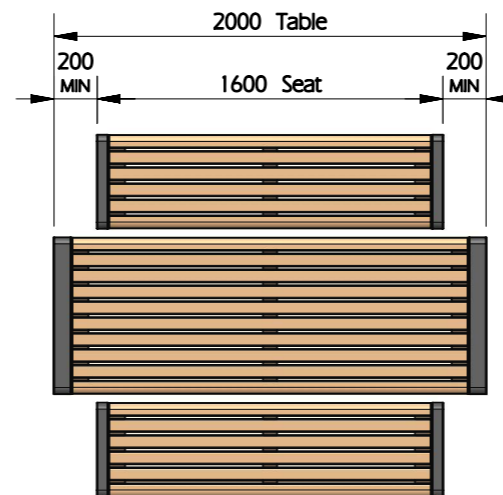
Table with Bench / Park Seat Configurations

NOTE: Each seat shown may be either a Bench Seat or a Park Seat

1m Table Configuration (2 Legs)



2m Table Configurations (2 Legs)

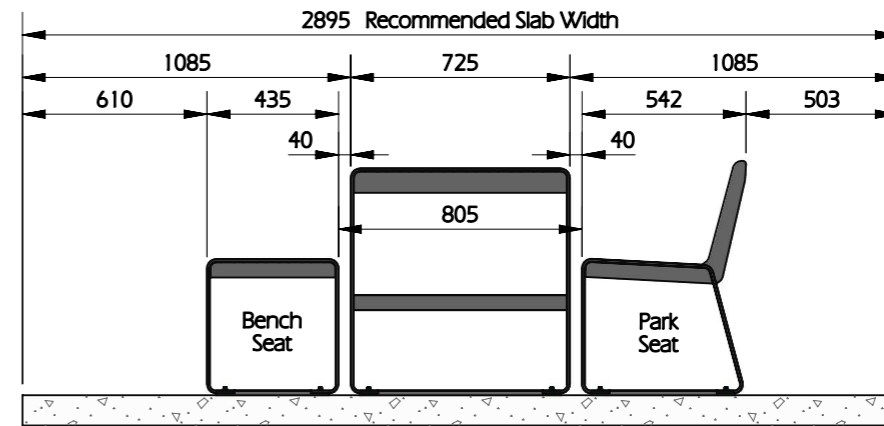


For side wheelchair access, a minimum of 800mm required for wheelchair clearance.
NOTE: When side wheelchair access is required, Slab must be 1000mm larger than perimeter of table setting

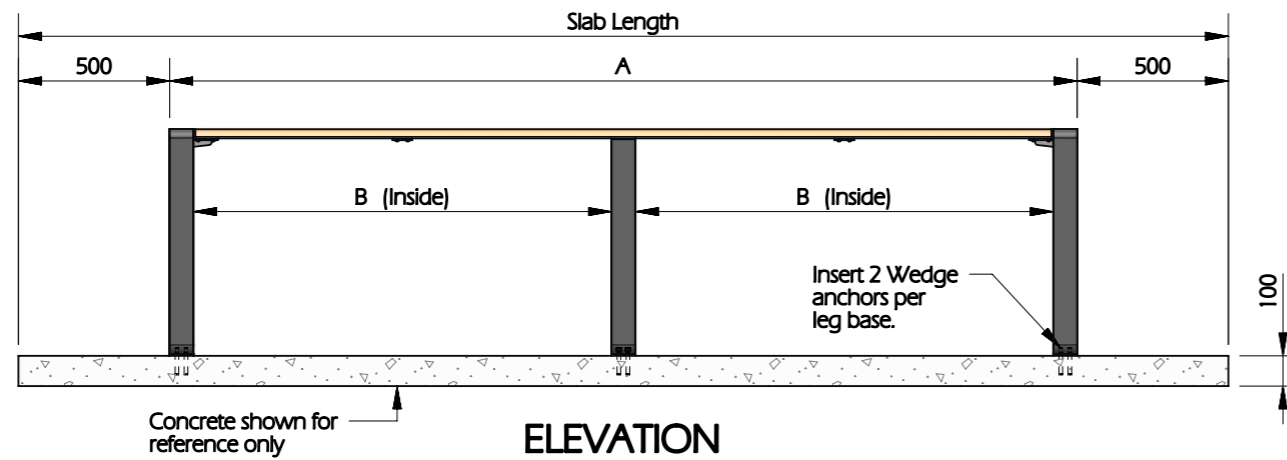
Table Lengths - 3 Legs (3m only)

| Table Length (A) | Between Legs (B) | Slab Length |
|------------------|------------------|-------------|
| 3000mm | 1380mm | 4000mm |

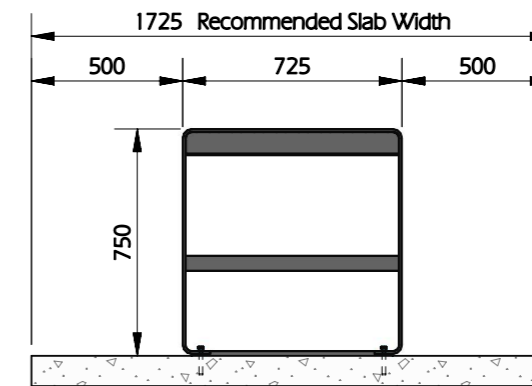
Dimensions in table above are nominal



SIDE VIEW - WITH SEATS



ELEVATION

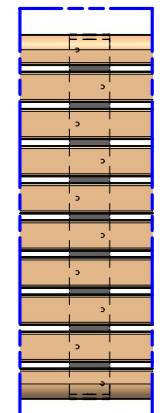
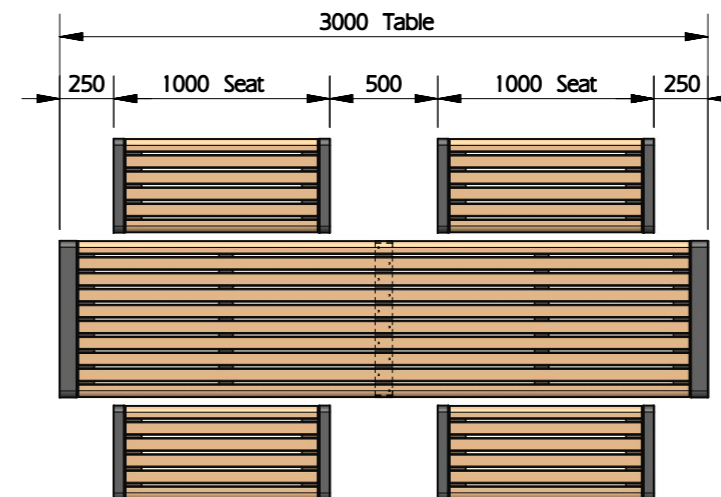
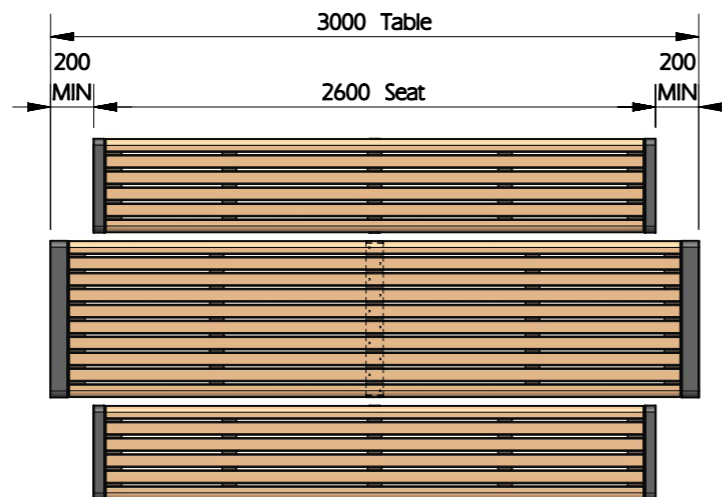


SIDE VIEW - NO SEATS

Table with Bench / Park Seat Configurations

NOTE: Each seat shown may be either a Bench Seat or a Park Seat

3m Table Configurations (3 Legs)



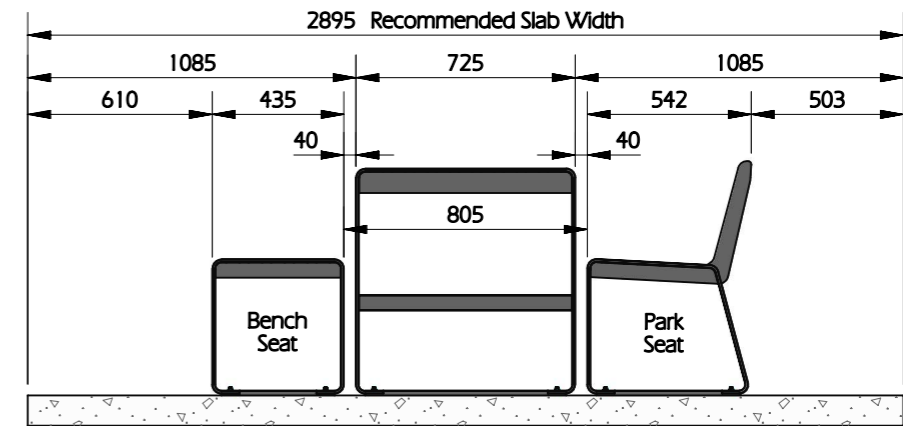
Intermediate Table Leg

For side wheelchair access, a minimum of 800mm required for wheelchair clearance.
NOTE: When side wheelchair access is required, Slab must be 1000mm larger than perimeter of table setting

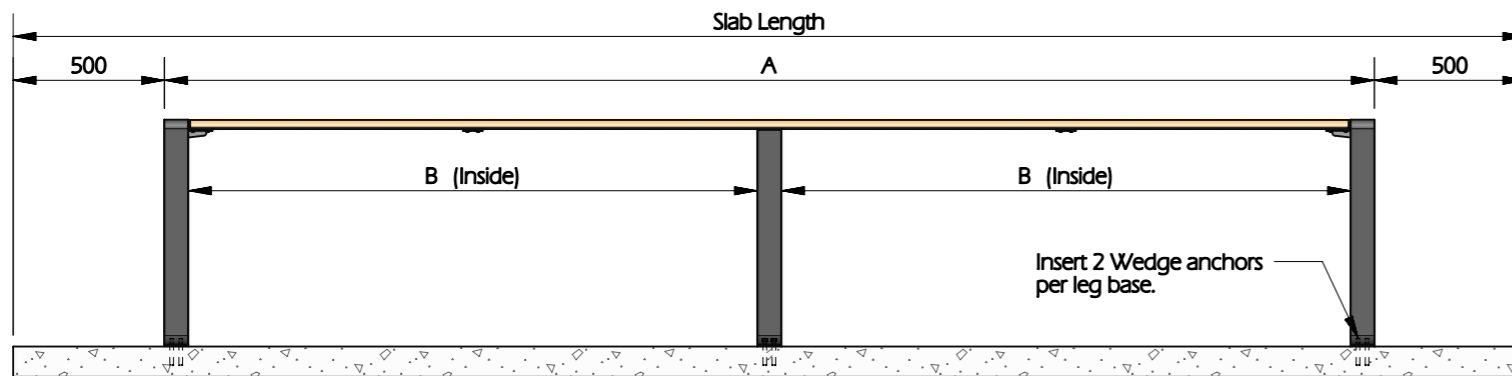
Table Lengths - 3 Legs (4m only)

| Table Length (A) | Between Legs (B) | Slab Length |
|------------------|------------------|-------------|
| 4000mm | 1880mm | 5000mm |

Dimensions in table above are nominal

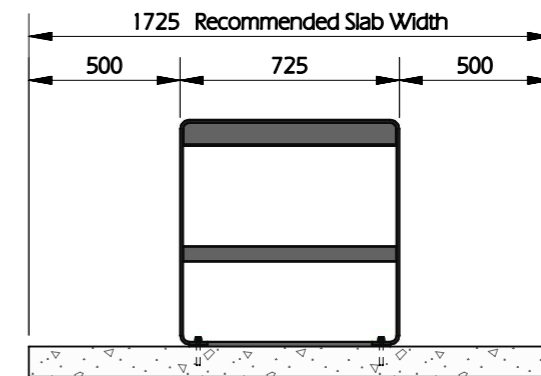


SIDE VIEW - WITH SEATS



Concrete shown for reference only

ELEVATION

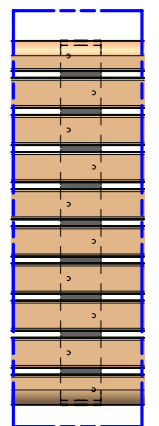
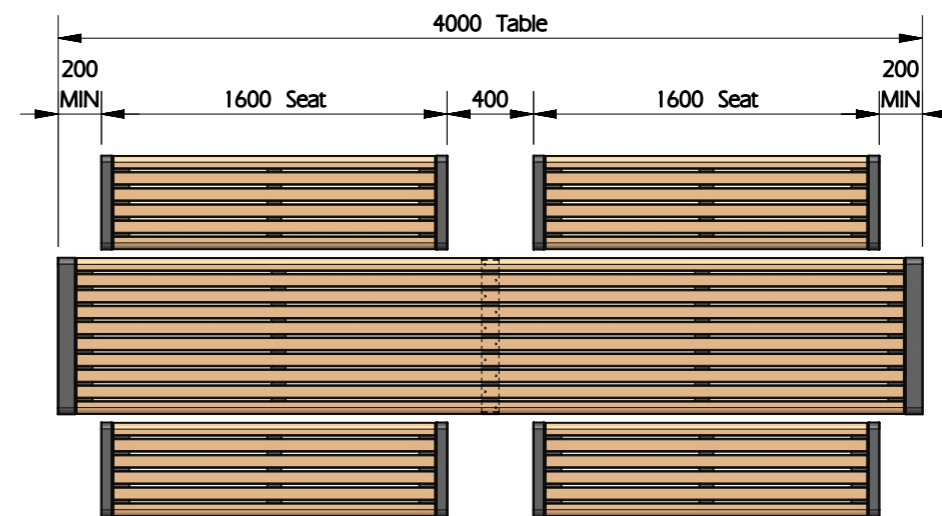
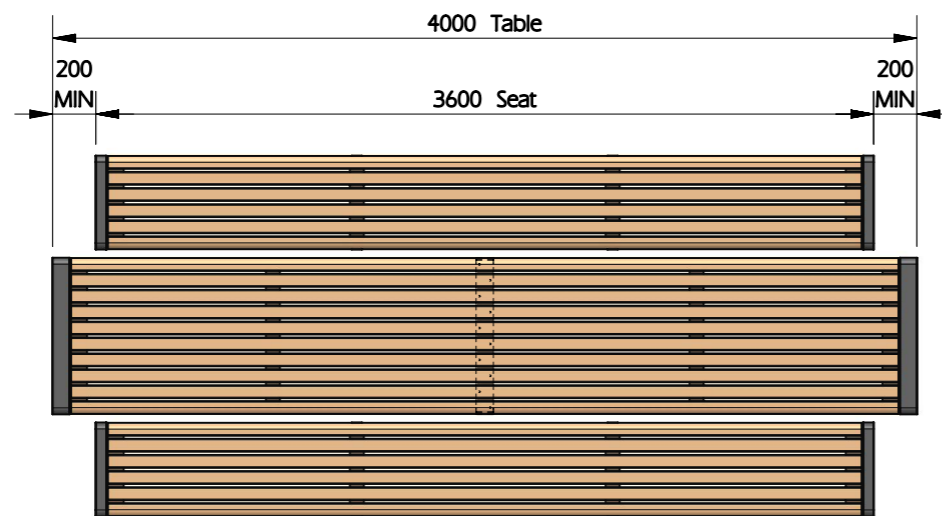


SIDE VIEW - NO SEATS

Table with Bench / Park Seat Configurations

NOTE: Each seat shown may be either a Bench Seat or a Park Seat

4m Table Configurations (3 Legs)



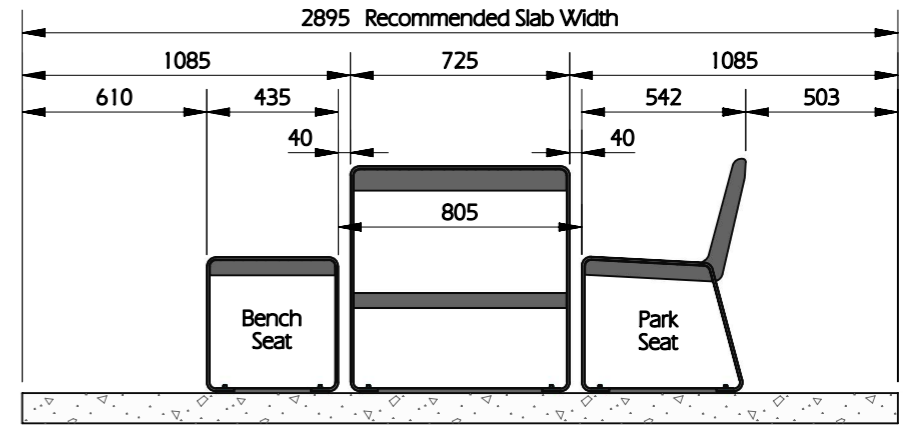
Intermediate Table Leg

For side wheelchair access, a minimum of 800mm required for wheelchair clearance.
NOTE: When side wheelchair access is required, Slab must be 1000mm larger than perimeter of table setting

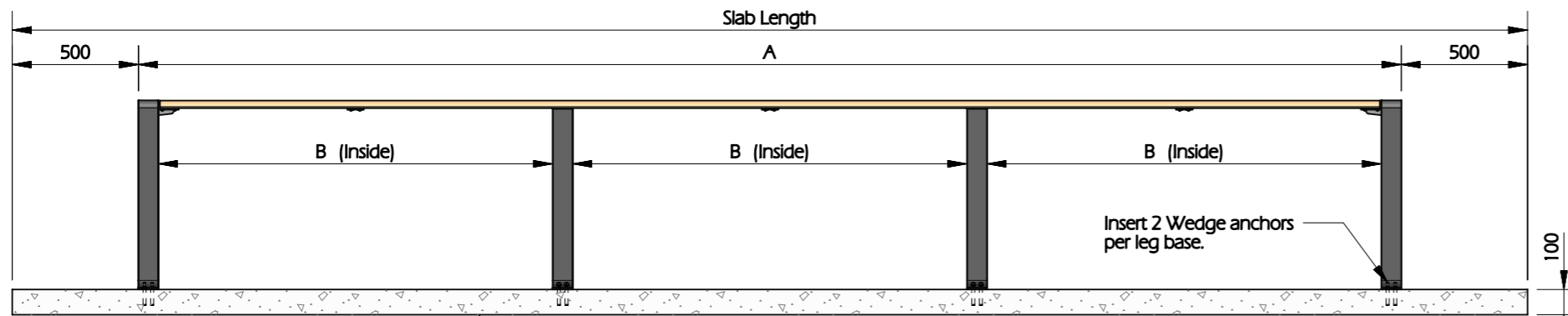
Table Lengths - 4 Legs

| Table Length (A) | Between Legs (B) | Slab Length |
|------------------|------------------|-------------|
| 5000mm | 1560mm | 6000mm |

Dimensions in table above are nominal

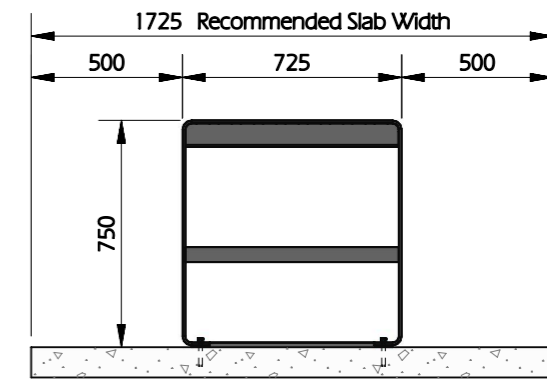


SIDE VIEW - WITH SEATS



Concrete shown for reference only

ELEVATION

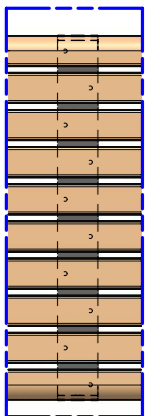
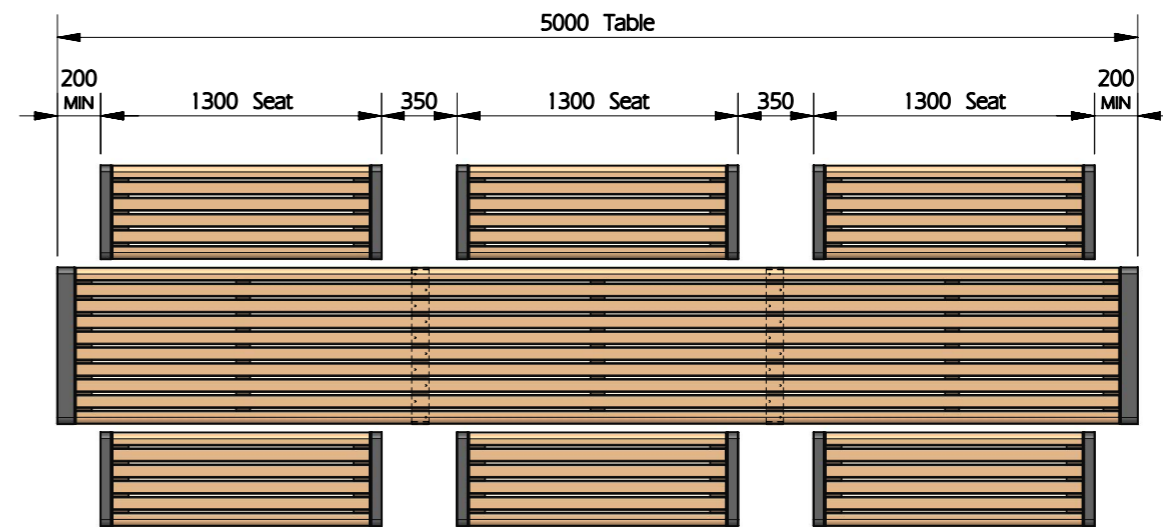
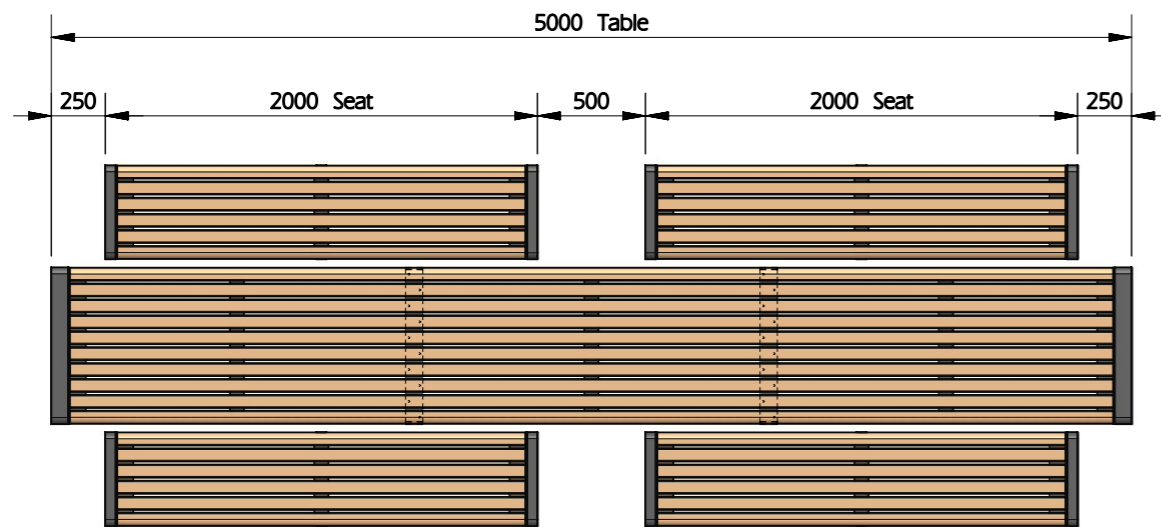


SIDE VIEW - NO SEATS

Table with Bench / Park Seat Configurations

NOTE: Each seat shown may be either a Bench Seat or a Park Seat

5m Table Configurations (4 Legs)



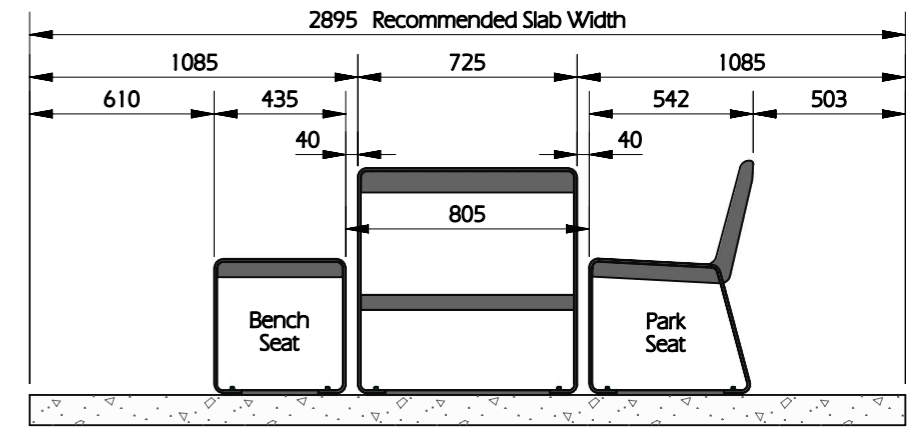
Intermediate Table Leg

For side wheelchair access, a minimum of 800mm required for wheelchair clearance.
NOTE: When side wheelchair access is required, Slab must be 1000mm larger than perimeter of table setting

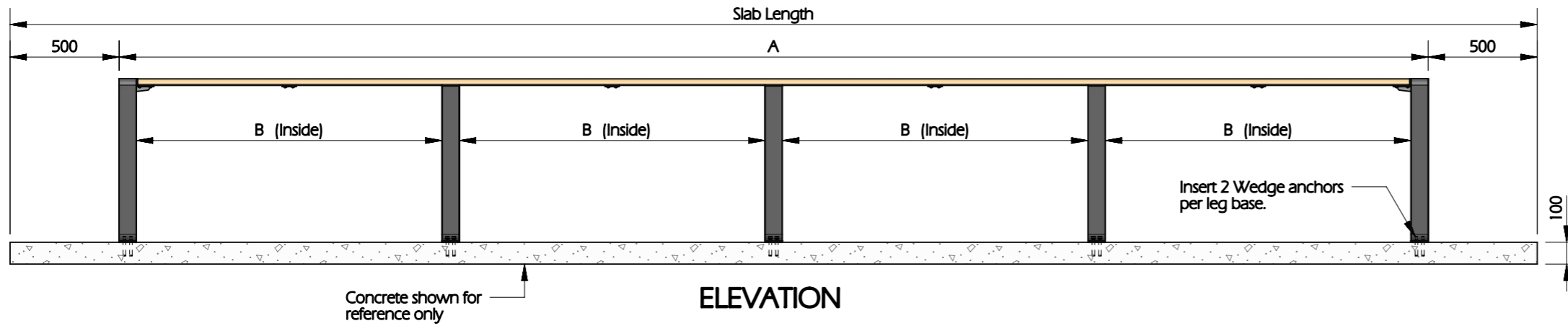
Table Lengths - 5 Legs

| Table Length (A) | Between Legs (B) | Slab Length |
|------------------|------------------|-------------|
| 6000mm | 1400mm | 7000mm |

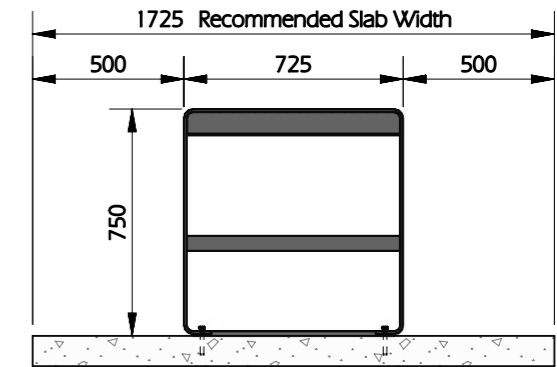
Dimensions in table above are nominal



SIDE VIEW - WITH SEATS



ELEVATION

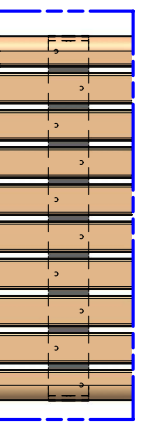
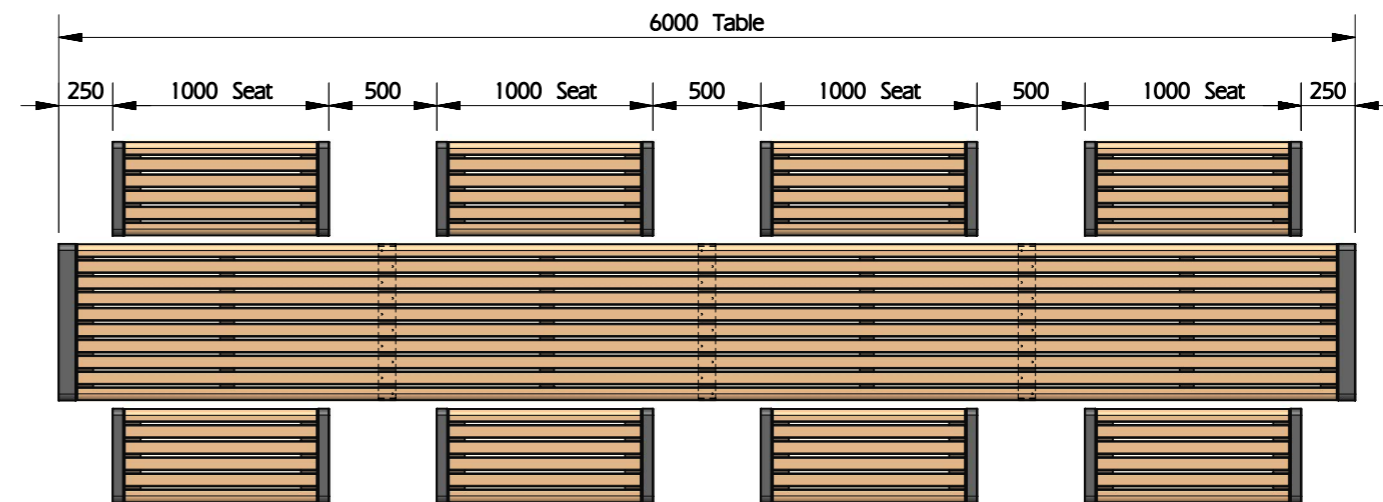
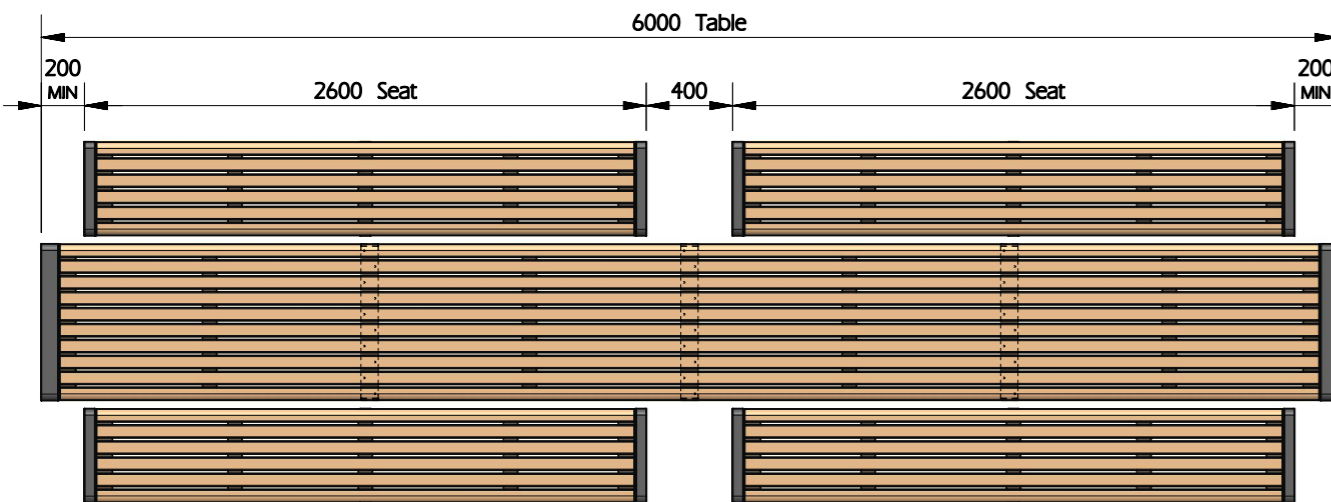


SIDE VIEW

Table with Bench / Park Seat Configurations

NOTE: Each seat shown may be either a Bench Seat or a Park Seat

6m Table Configurations (5 Legs)



Intermediate Table Leg

For side wheelchair access, a minimum of 800mm required for wheelchair clearance.
NOTE: When side wheelchair access is required, Slab must be 1000mm larger than perimeter of table setting