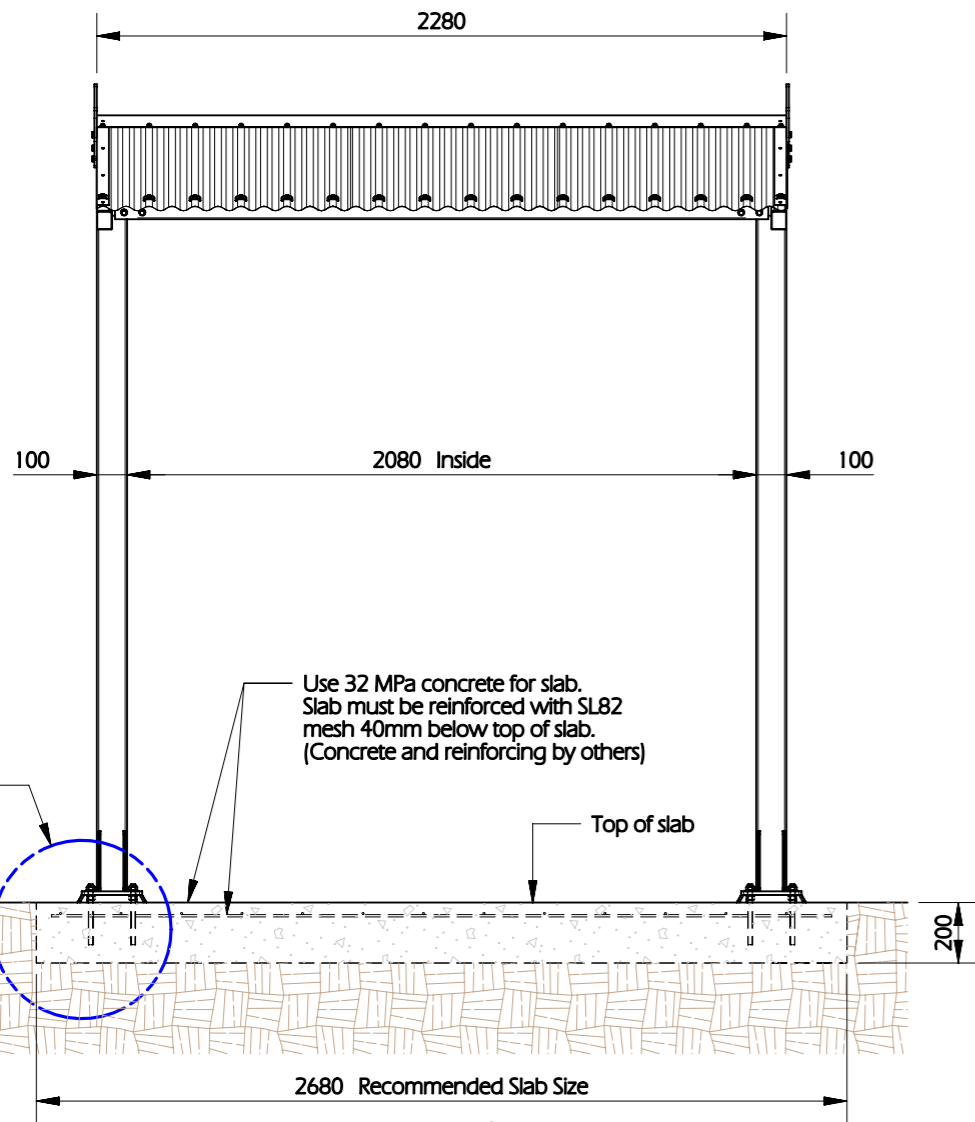
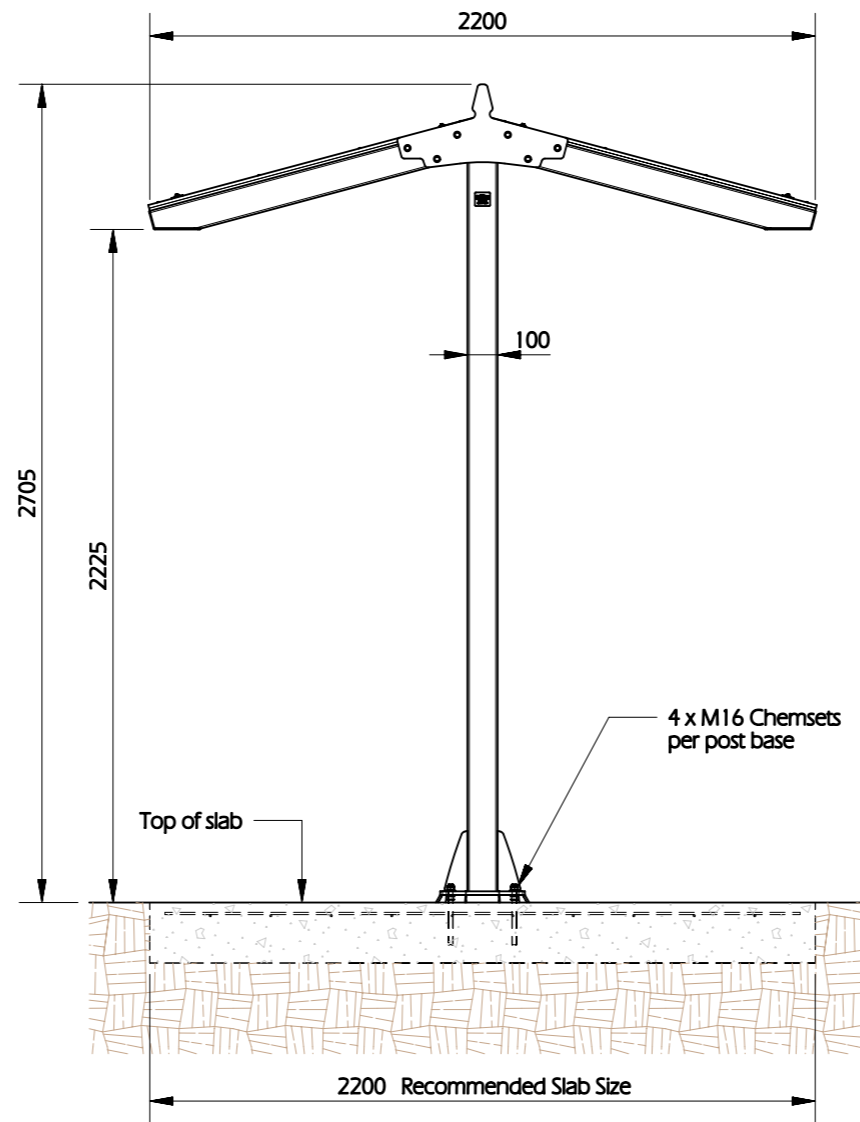


Note:
Slab requires a moisture barrier.
Line all footings with 200um
Polyethylene (Vinyl) sheet.

DETAIL A
SCALE 1:10



ELEVATION
SCALE 1:25



SIDE VIEW
SCALE 1:25



PICTORIAL VIEW

Use 32 MPa concrete for slab.
Slab must be reinforced with SL82
mesh 40mm below top of slab.
(Concrete and reinforcing by others)

4 x M16 Chemsets
per post base

GENERAL NOTES:

1. Slab & reinforcing designs for soil Class "P"
2. Slab & trench footings to be lined with 200um Polyethylene (Vinyl) sheet (by others)