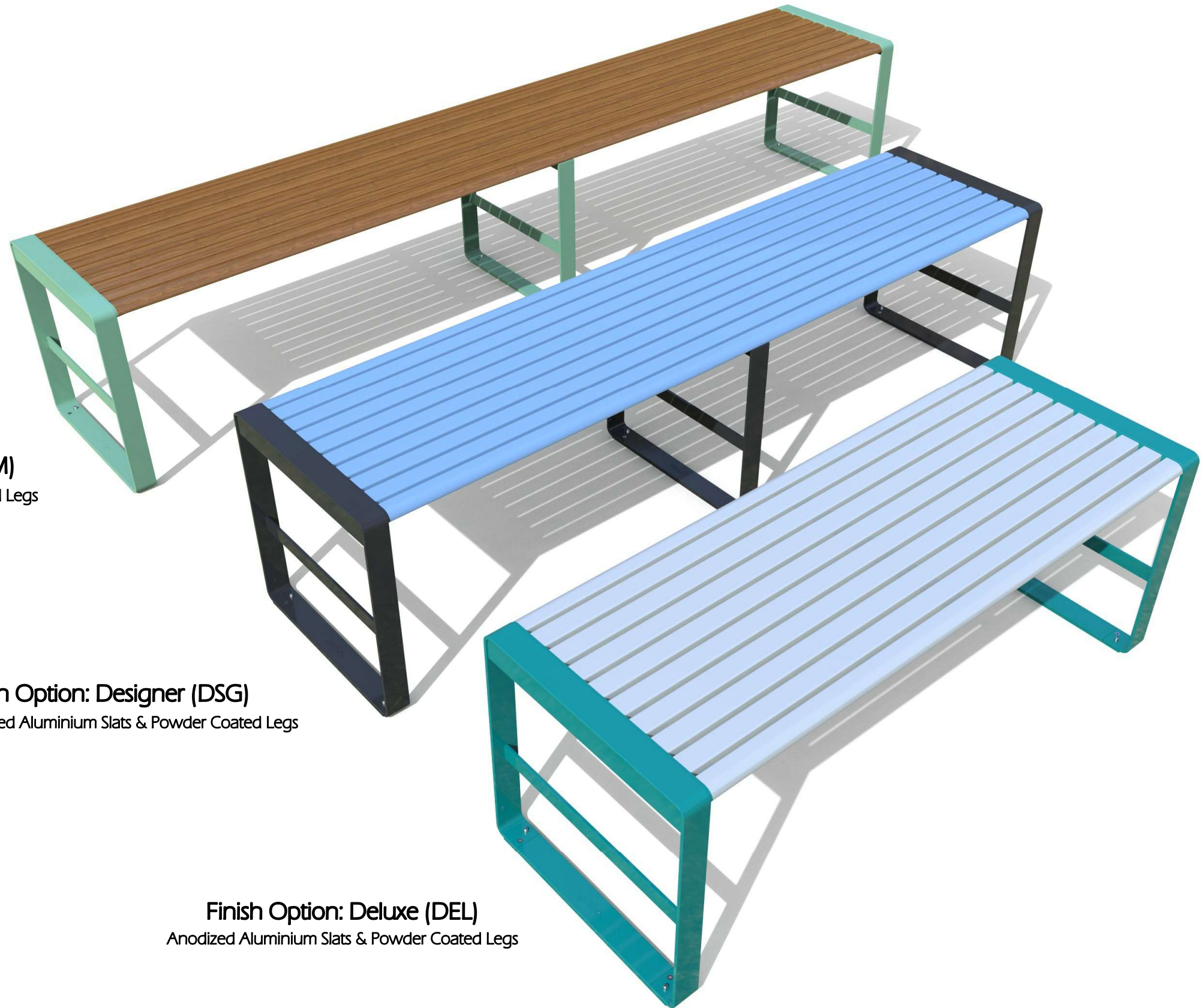


### MODA TABLE - VARIOUS LENGTHS & FINISHES



**Finish Option: Timber Image (TIM)**  
Timber Image Aluminium Slats & Powder Coated Legs

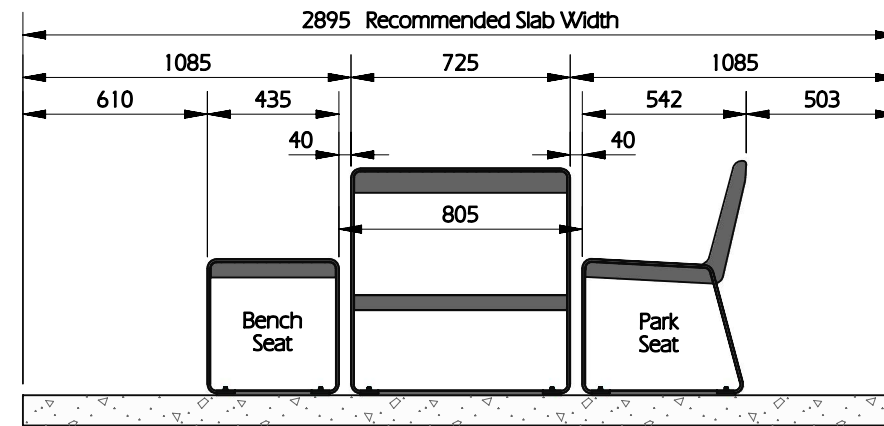
**Finish Option: Designer (DSG)**  
Powder Coated Aluminium Slats & Powder Coated Legs

**Finish Option: Deluxe (DEL)**  
Anodized Aluminium Slats & Powder Coated Legs

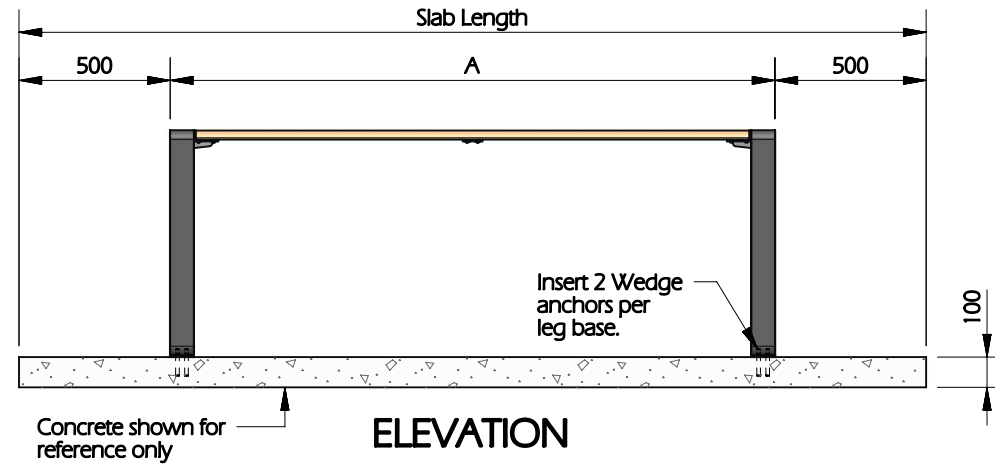
**Table Lengths - 2 Legs**

Table Length (A)	Slab Length
1000mm	2000mm
2000mm	3000mm

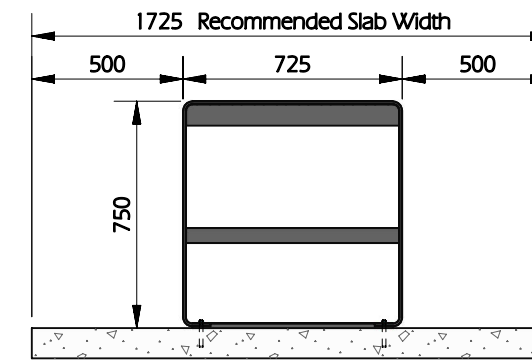
Dimensions in table above are nominal



**SIDE VIEW - WITH SEATS**



**ELEVATION**

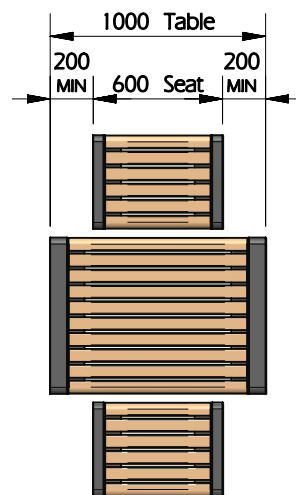


**SIDE VIEW - NO SEATS**

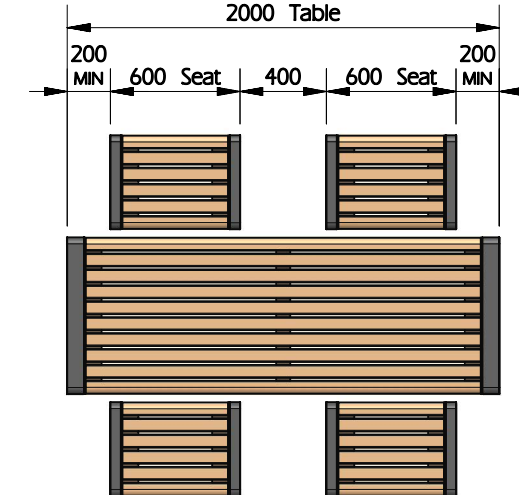
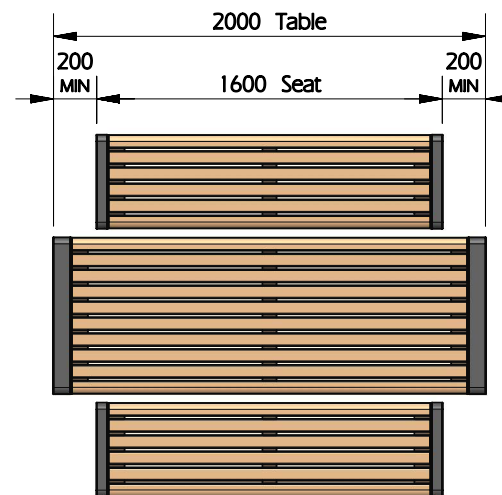
**Table with Bench / Park Seat Configurations**

NOTE: Each seat shown may be either a Bench Seat or a Park Seat

**1m Table Configuration (2 Legs)**



**2m Table Configurations (2 Legs)**

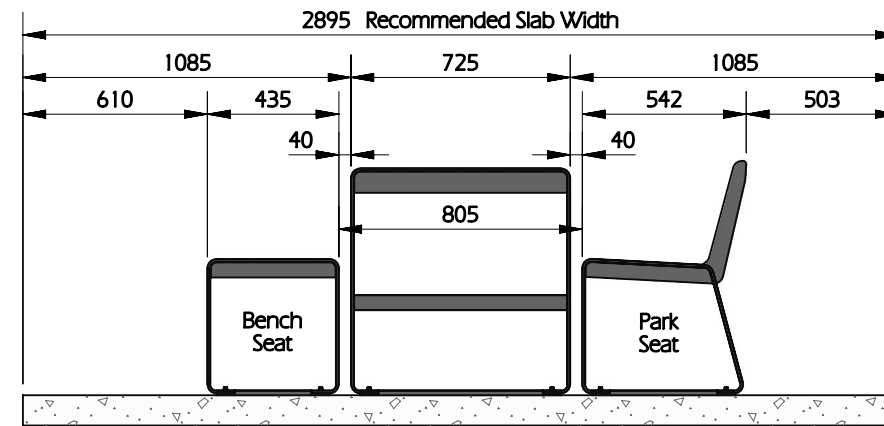


For side wheelchair access, a minimum of 800mm required for wheelchair clearance.  
NOTE: When side wheelchair access is required, Slab must be 1000mm larger than perimeter of table setting

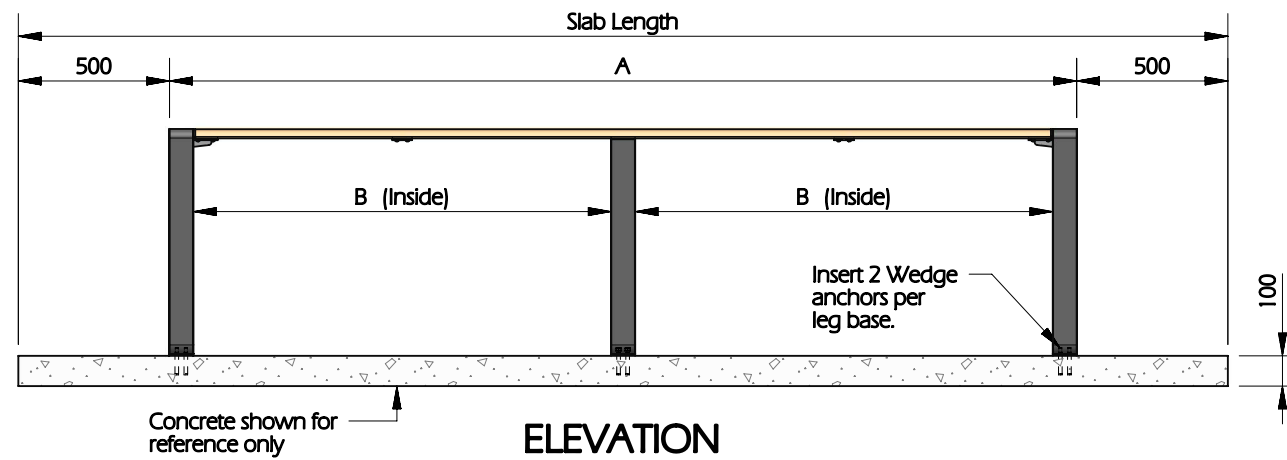
**Table Lengths - 3 Legs (3m only)**

Table Length (A)	Between Legs (B)	Slab Length
3000mm	1380mm	4000mm

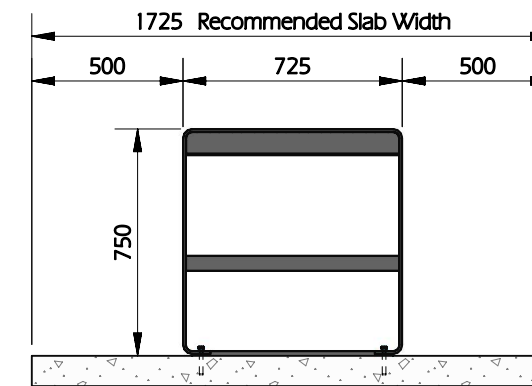
Dimensions in table above are nominal



**SIDE VIEW - WITH SEATS**



**ELEVATION**

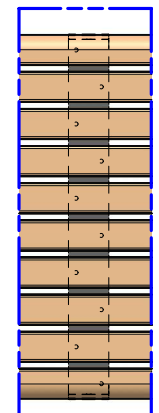
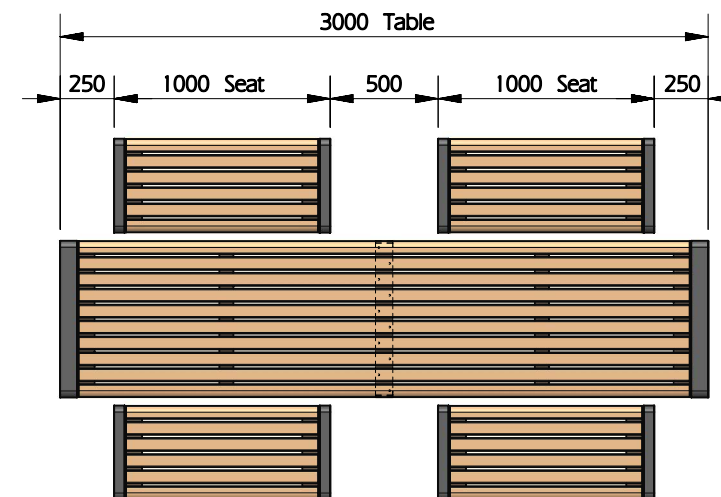
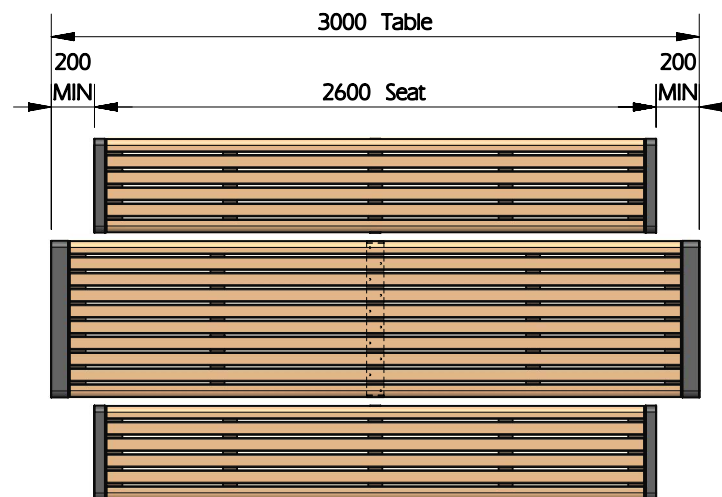


**SIDE VIEW - NO SEATS**

**Table with Bench / Park Seat Configurations**

NOTE: Each seat shown may be either a Bench Seat or a Park Seat

**3m Table Configurations (3 Legs)**



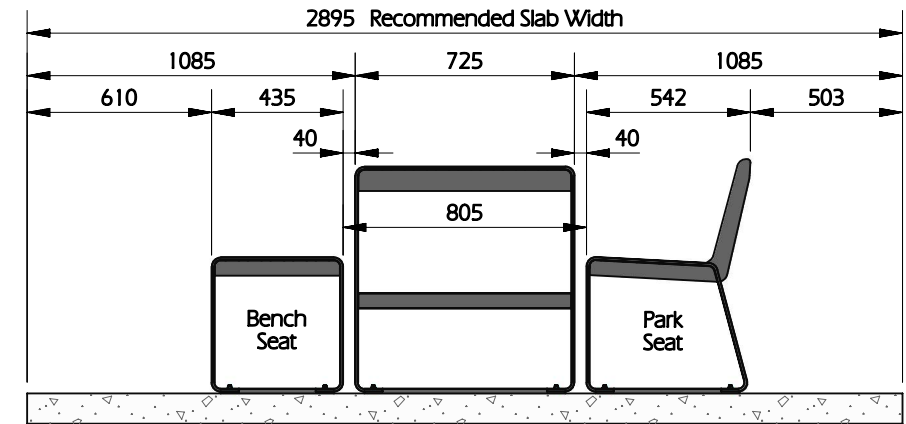
**Intermediate Table Leg**

For side wheelchair access, a minimum of 800mm required for wheelchair clearance.  
NOTE: When side wheelchair access is required, Slab must be 1000mm larger than perimeter of table setting

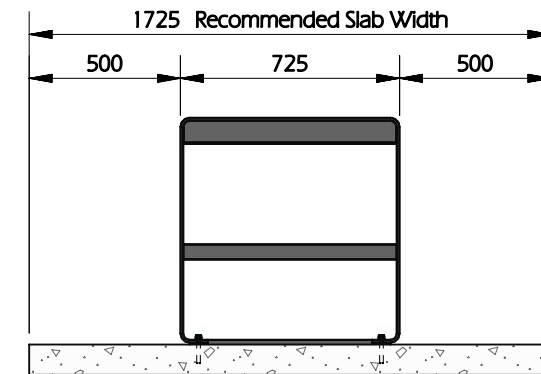
**Table Lengths - 3 Legs (4m only)**

Table Length (A)	Between Legs (B)	Slab Length
4000mm	1880mm	5000mm

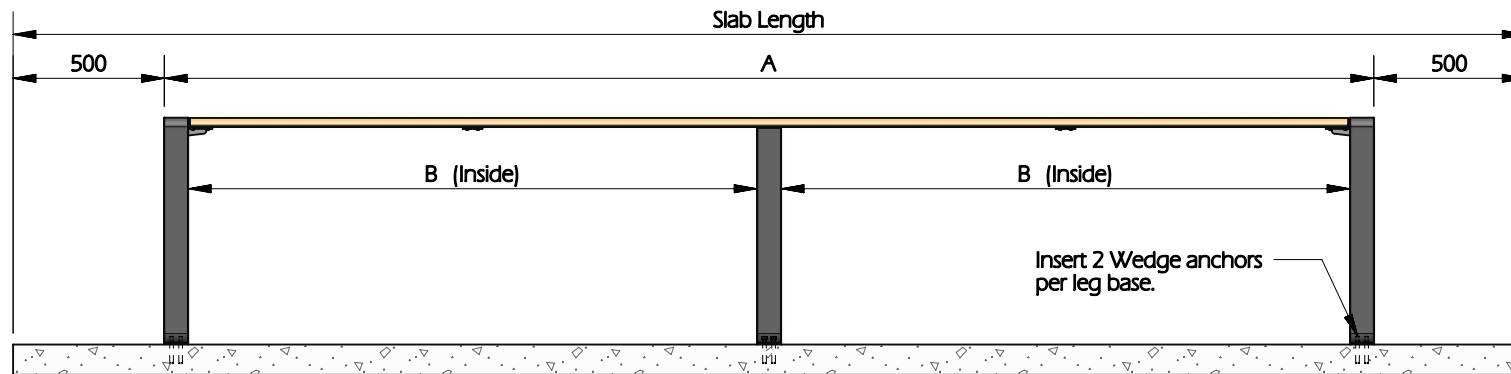
Dimensions in table above are nominal



**SIDE VIEW - WITH SEATS**



**SIDE VIEW - NO SEATS**



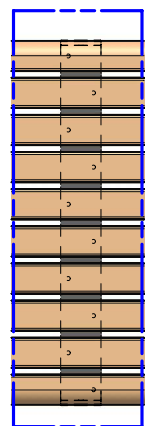
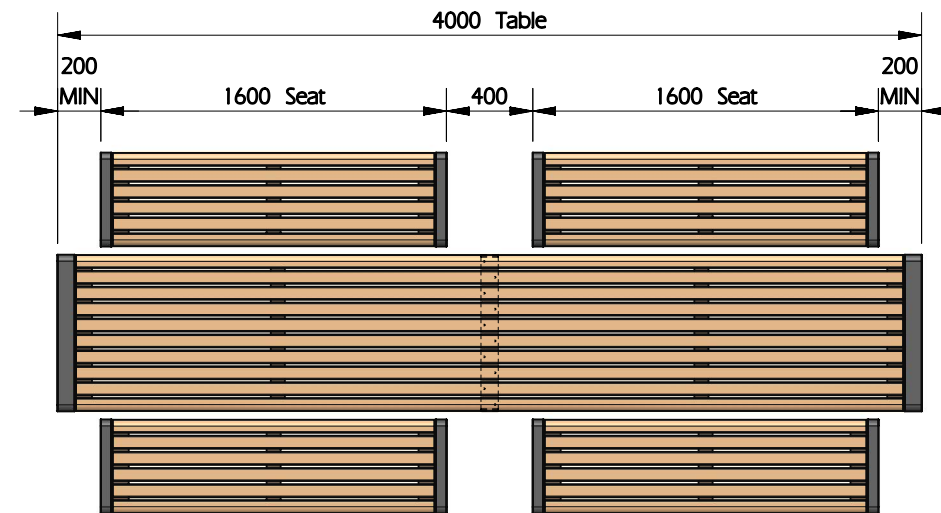
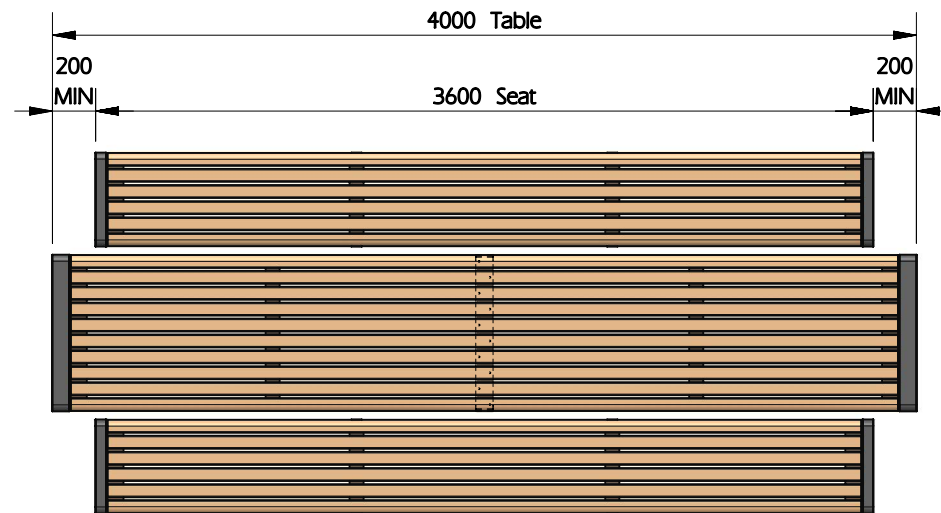
Concrete shown for reference only

**ELEVATION**

**Table with Bench / Park Seat Configurations**

NOTE: Each seat shown may be either a Bench Seat or a Park Seat

**4m Table Configurations (3 Legs)**



**Intermediate Table Leg**

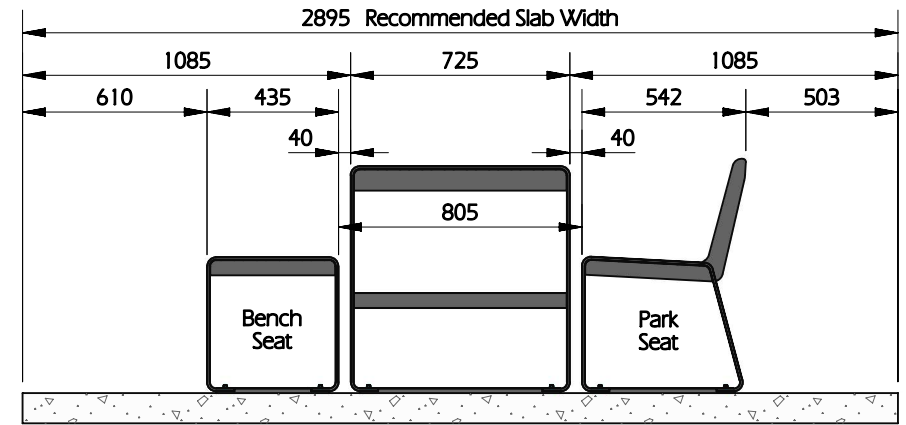
For side wheelchair access, a minimum of 800mm required for wheelchair clearance.  
NOTE: When side wheelchair access is required, Slab must be 1000mm larger than perimeter of table setting



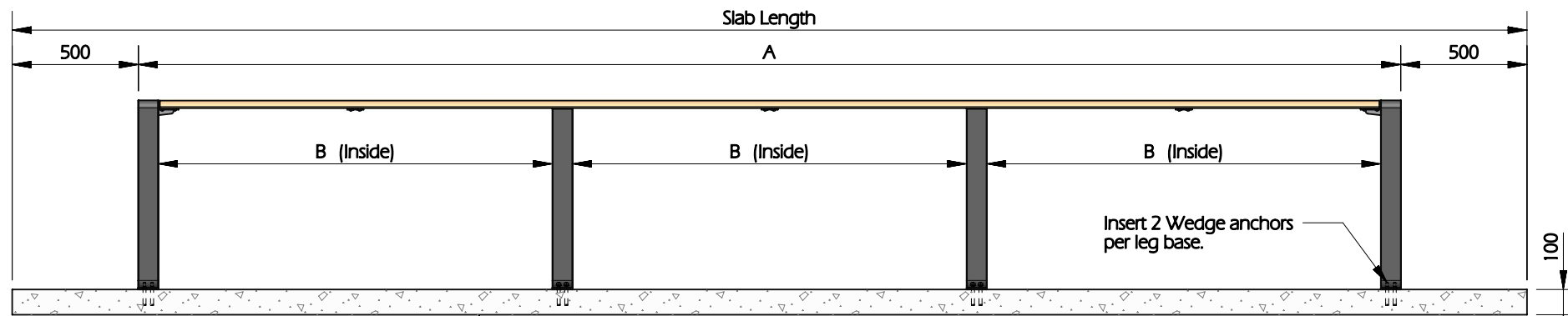
**Table Lengths - 4 Legs**

Table Length (A)	Between Legs (B)	Slab Length
5000mm	1560mm	6000mm

Dimensions in table above are nominal

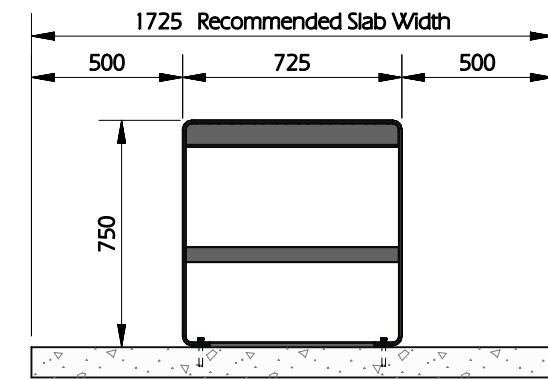


**SIDE VIEW - WITH SEATS**



Concrete shown for reference only

**ELEVATION**

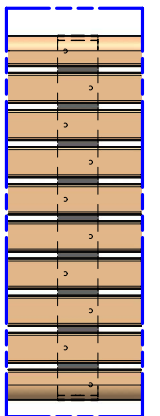
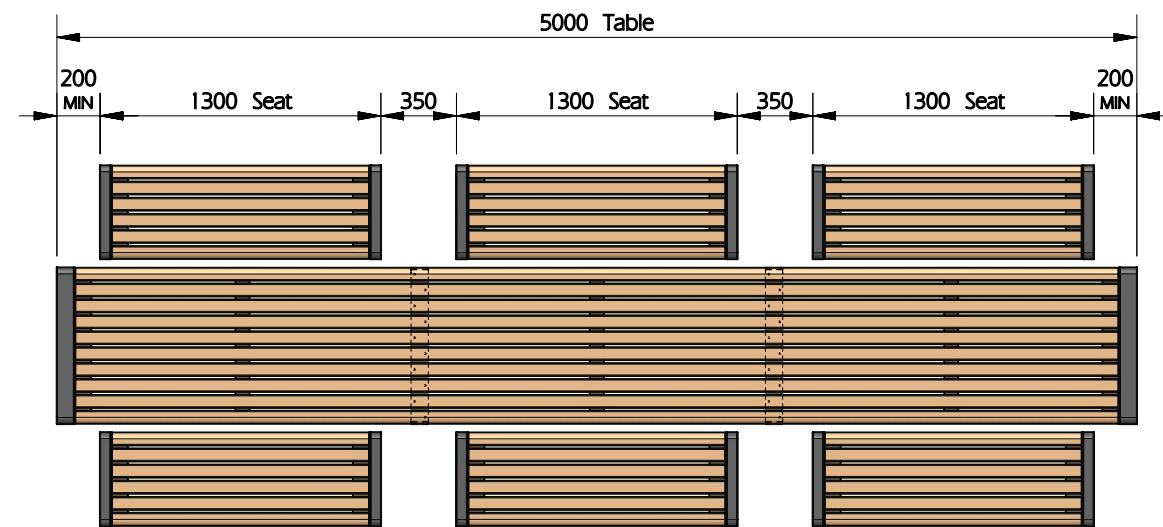
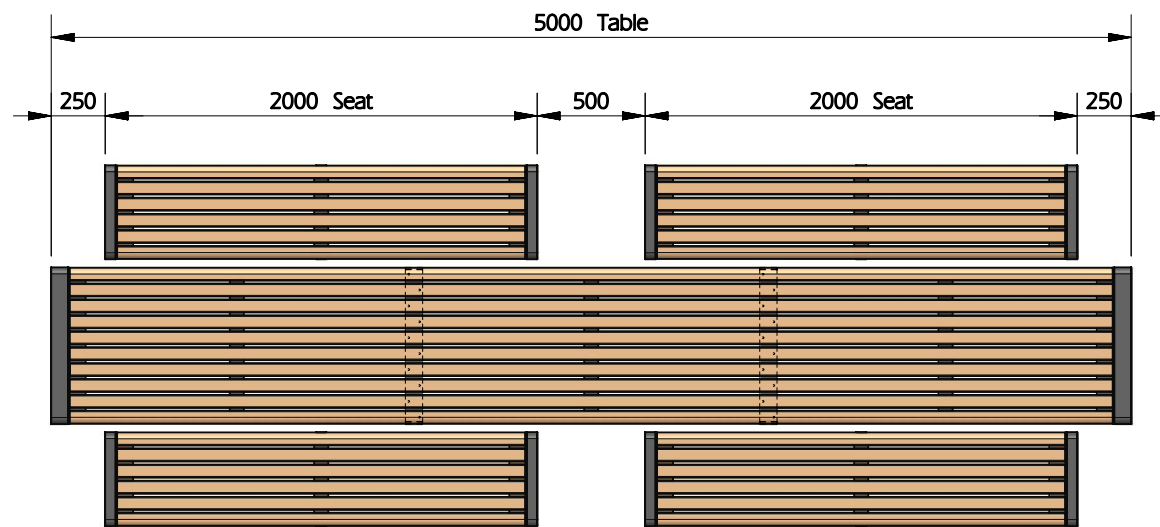


**SIDE VIEW - NO SEATS**

**Table with Bench / Park Seat Configurations**

NOTE: Each seat shown may be either a Bench Seat or a Park Seat

**5m Table Configurations (4 Legs)**



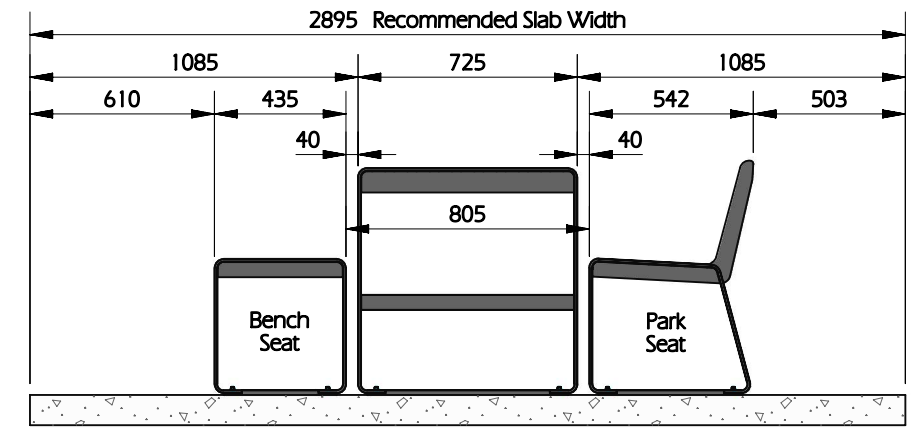
**Intermediate Table Leg**

For side wheelchair access, a minimum of 800mm required for wheelchair clearance.  
NOTE: When side wheelchair access is required, Slab must be 1000mm larger than perimeter of table setting

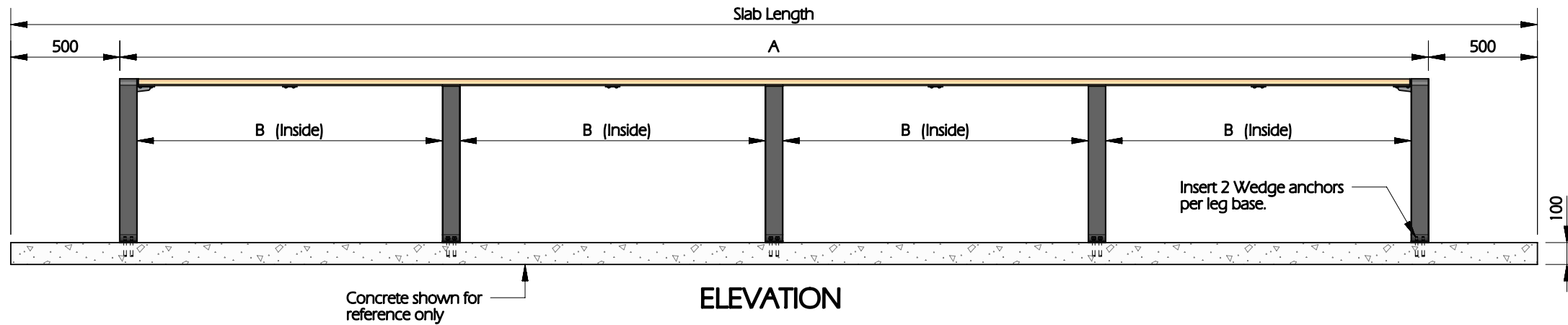
**Table Lengths - 5 Legs**

Table Length (A)	Between Legs (B)	Slab Length
6000mm	1400mm	7000mm

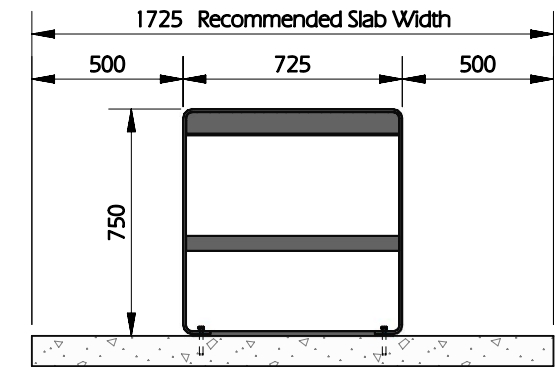
Dimensions in table above are nominal



**SIDE VIEW - WITH SEATS**



**ELEVATION**

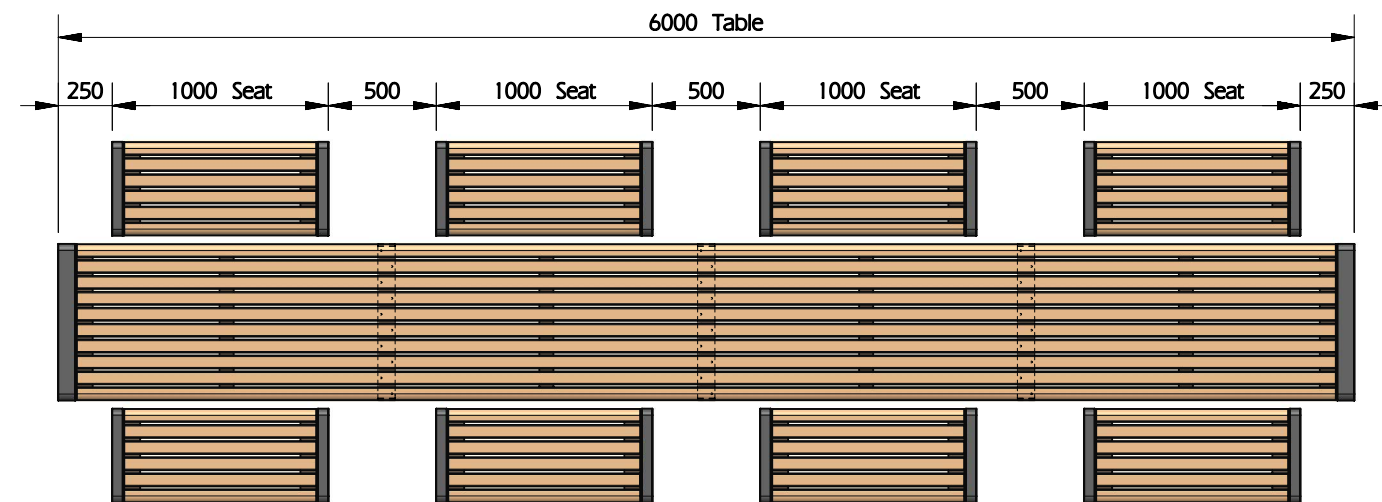
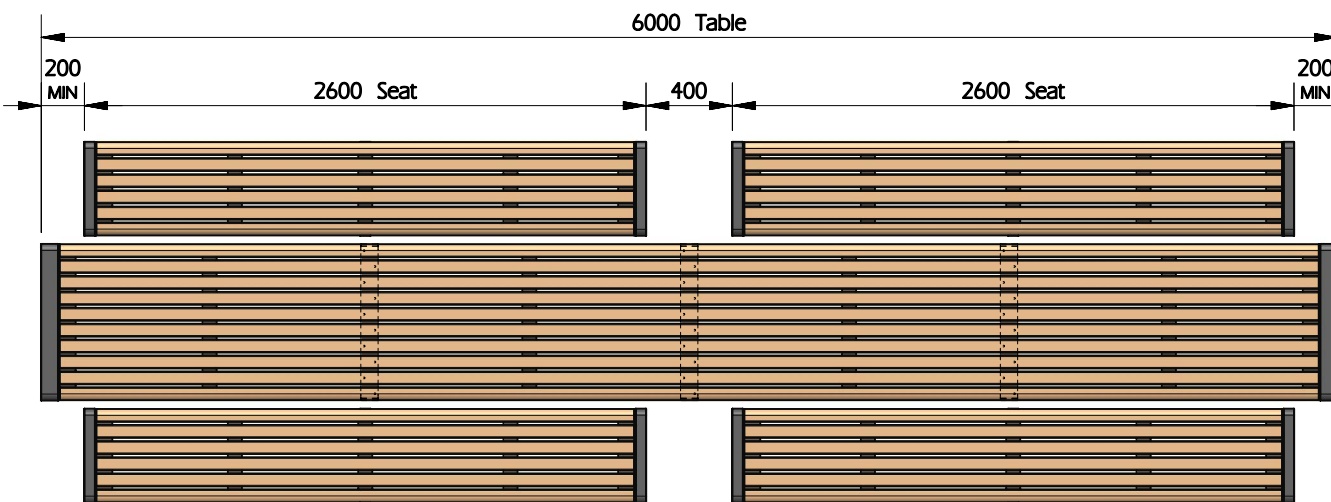


**SIDE VIEW**

**Table with Bench / Park Seat Configurations**

NOTE: Each seat shown may be either a Bench Seat or a Park Seat

**6m Table Configurations (5 Legs)**



**Intermediate Table Leg**

For side wheelchair access, a minimum of 800mm required for wheelchair clearance.  
NOTE: When side wheelchair access is required, Slab must be 1000mm larger than perimeter of table setting