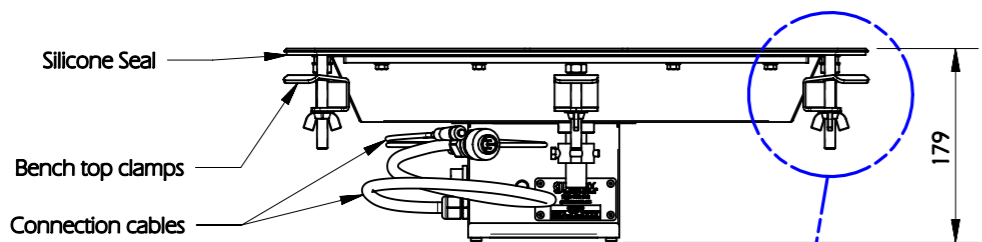
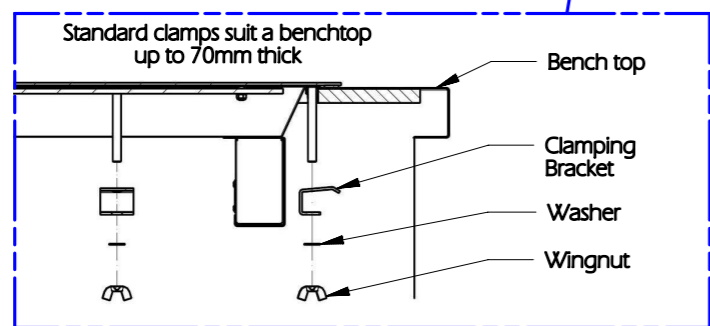


TOP VIEW
SCALE NTS



ELEVATION
SCALE NTS

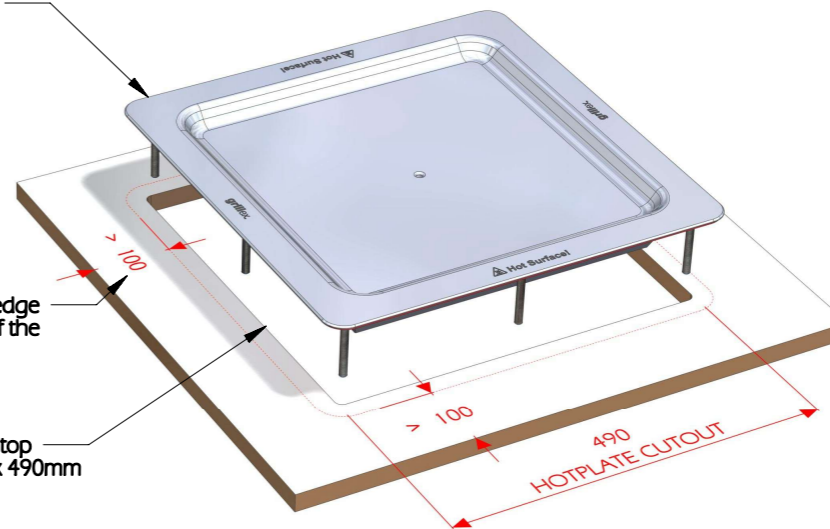


BENCH TOP CLAMPS

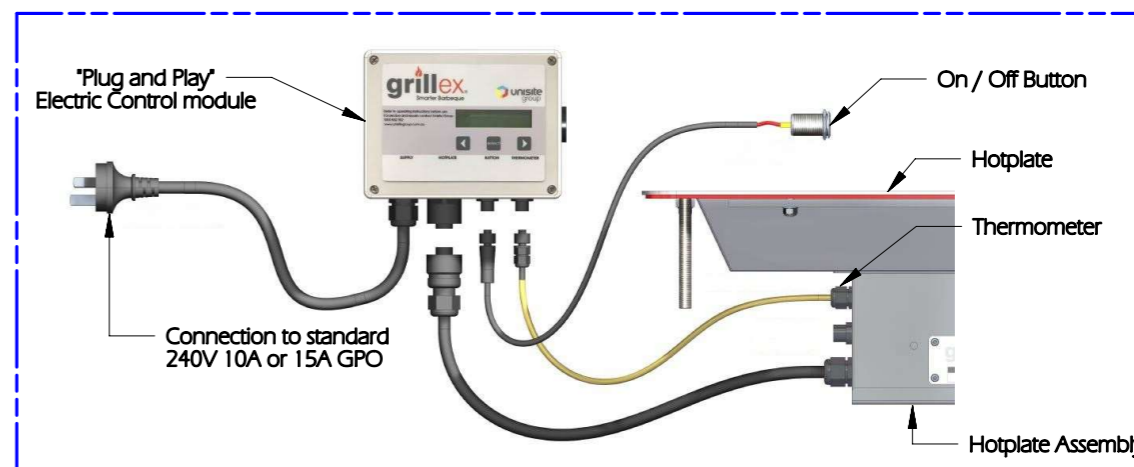
Hotplate 3mm Grade 316 Stainless Steel with Electropolished cooking surface

Minimum distance from the edge of the hotplate to the edge of the benchtop is 100mm

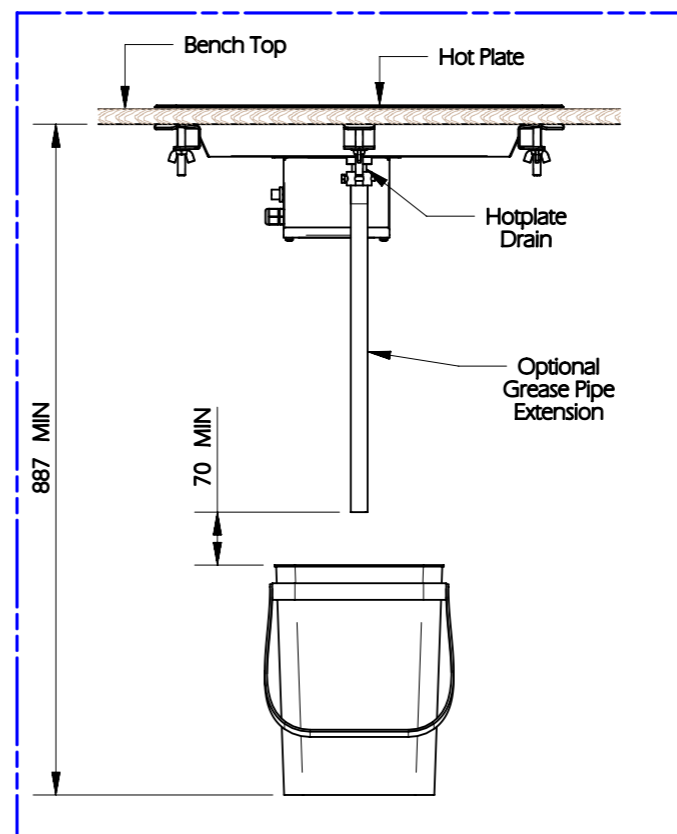
Recommended benchtop cutout size is 490mm x 490mm



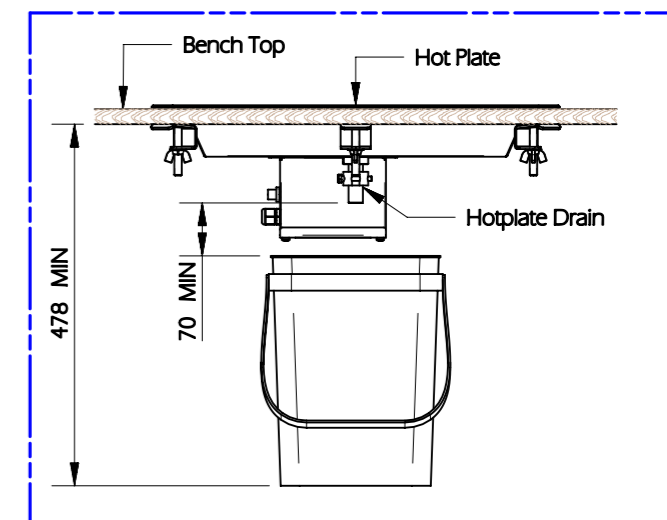
BENCHTOP CUTOUT & POSITION



CONTROL BOX & CONNECTIONS



BUCKET PLACEMENT WITH OPTIONAL GREASE PIPE EXTENSION



BUCKET PLACEMENT WITHOUT GREASE PIPE EXTENSION