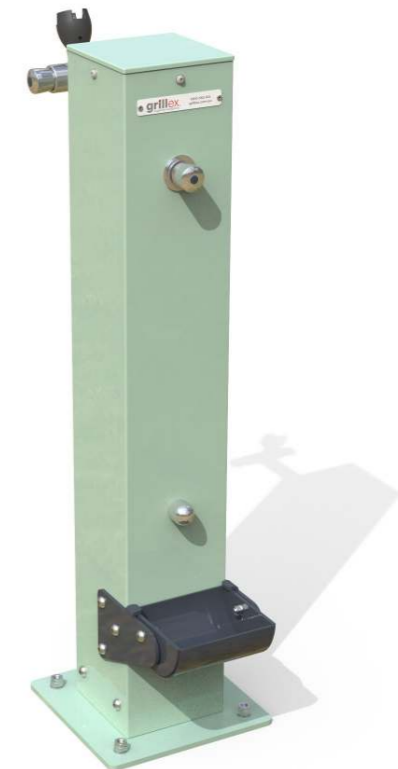
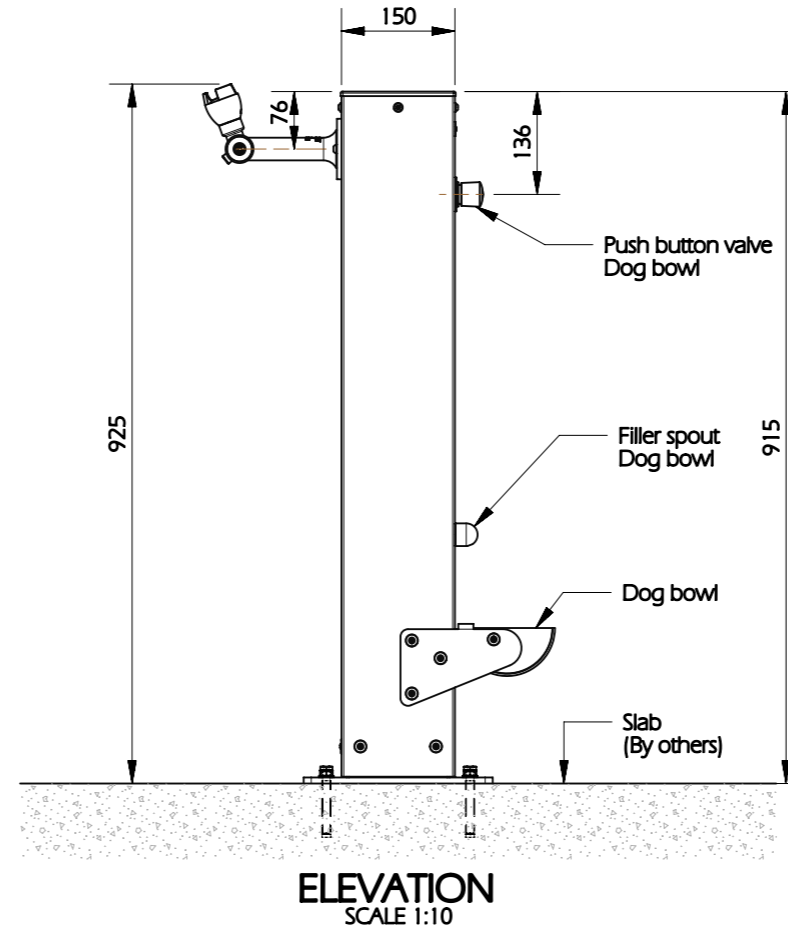
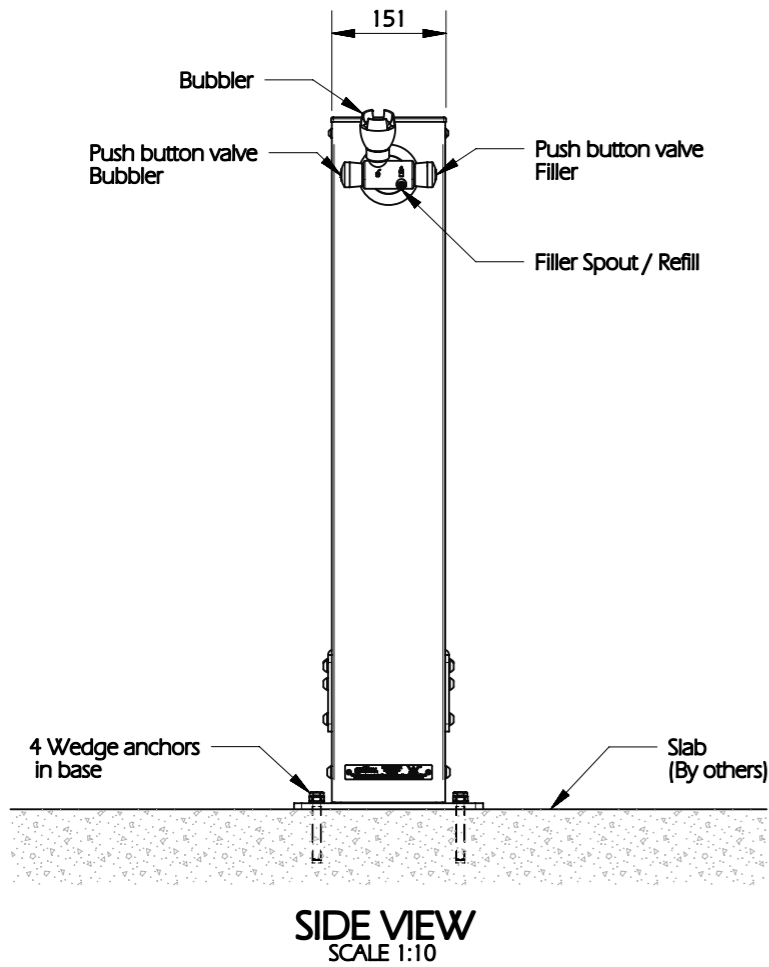


PICTORIAL FRONT VIEW
Nominal Water Flow: 2L / Min



PICTORIAL REAR VIEW