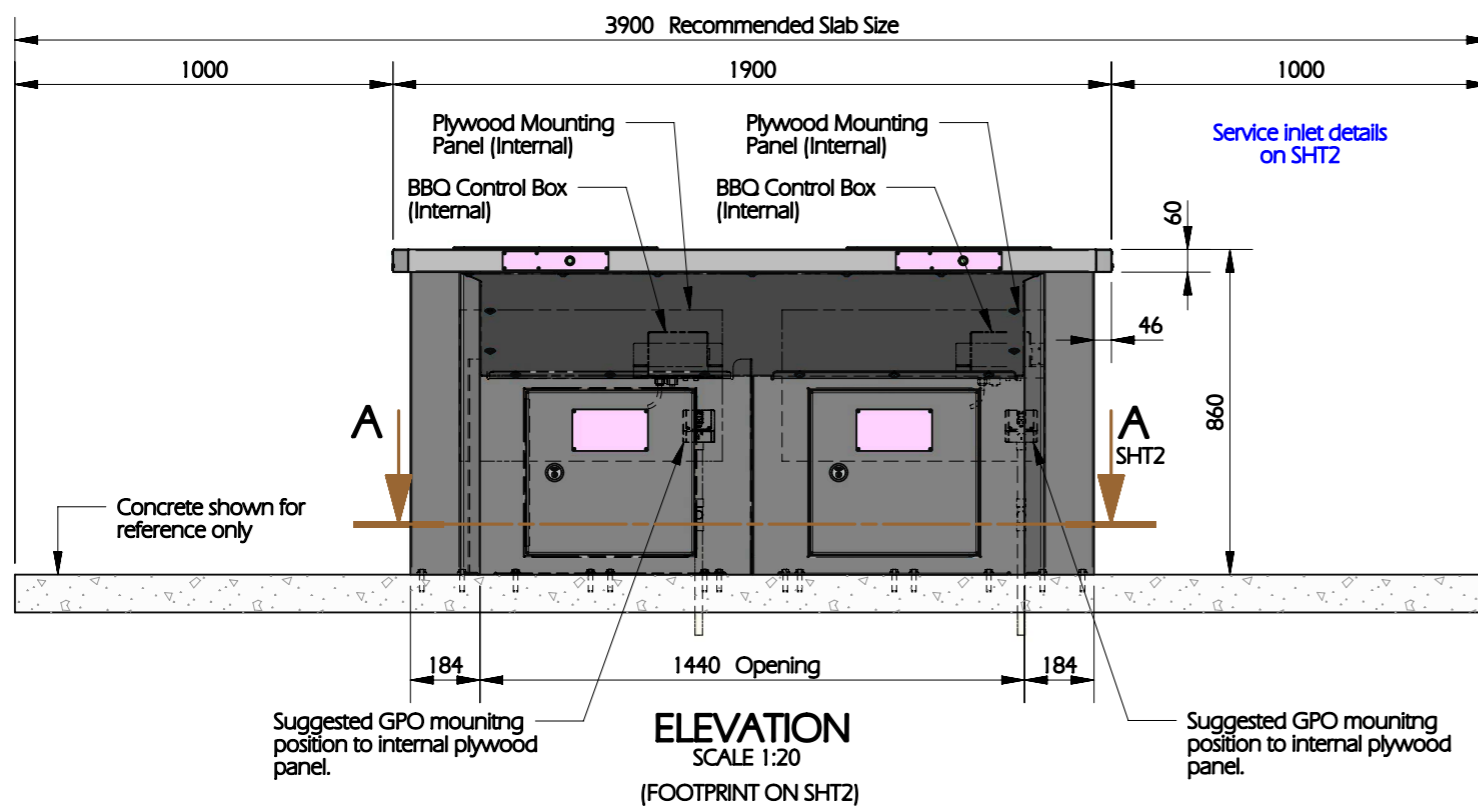


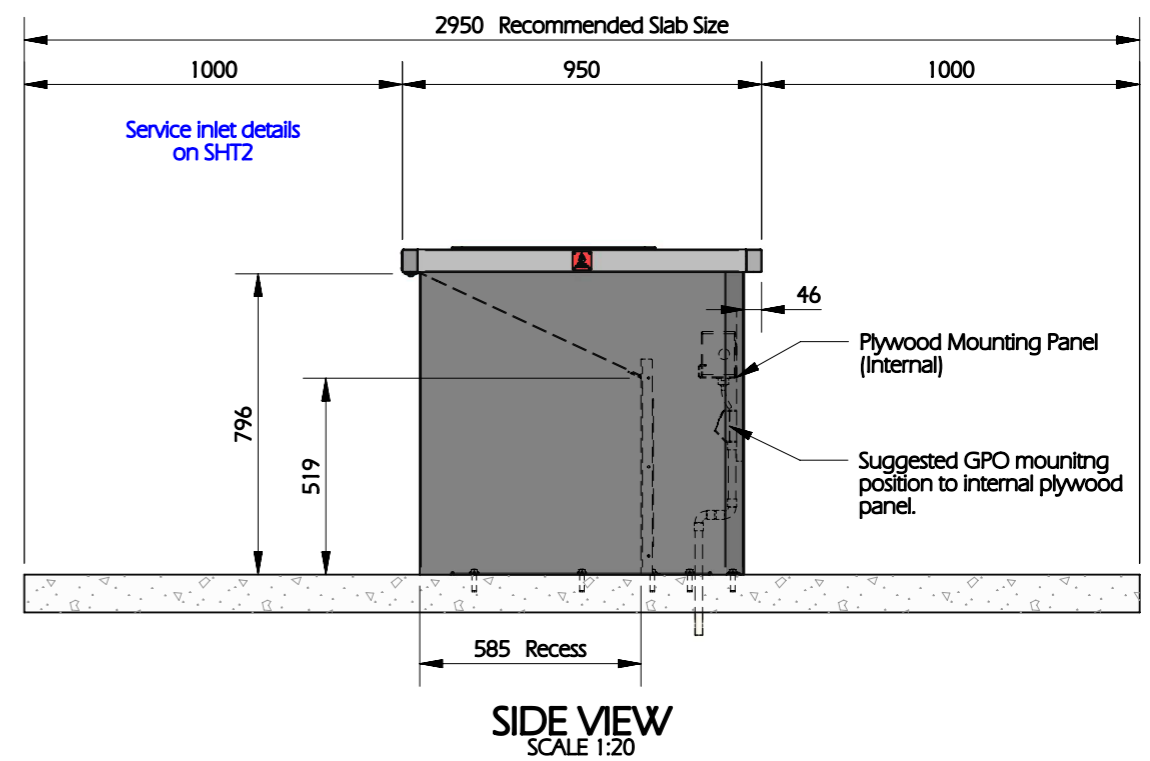
TOP VIEW
SCALE 1:20



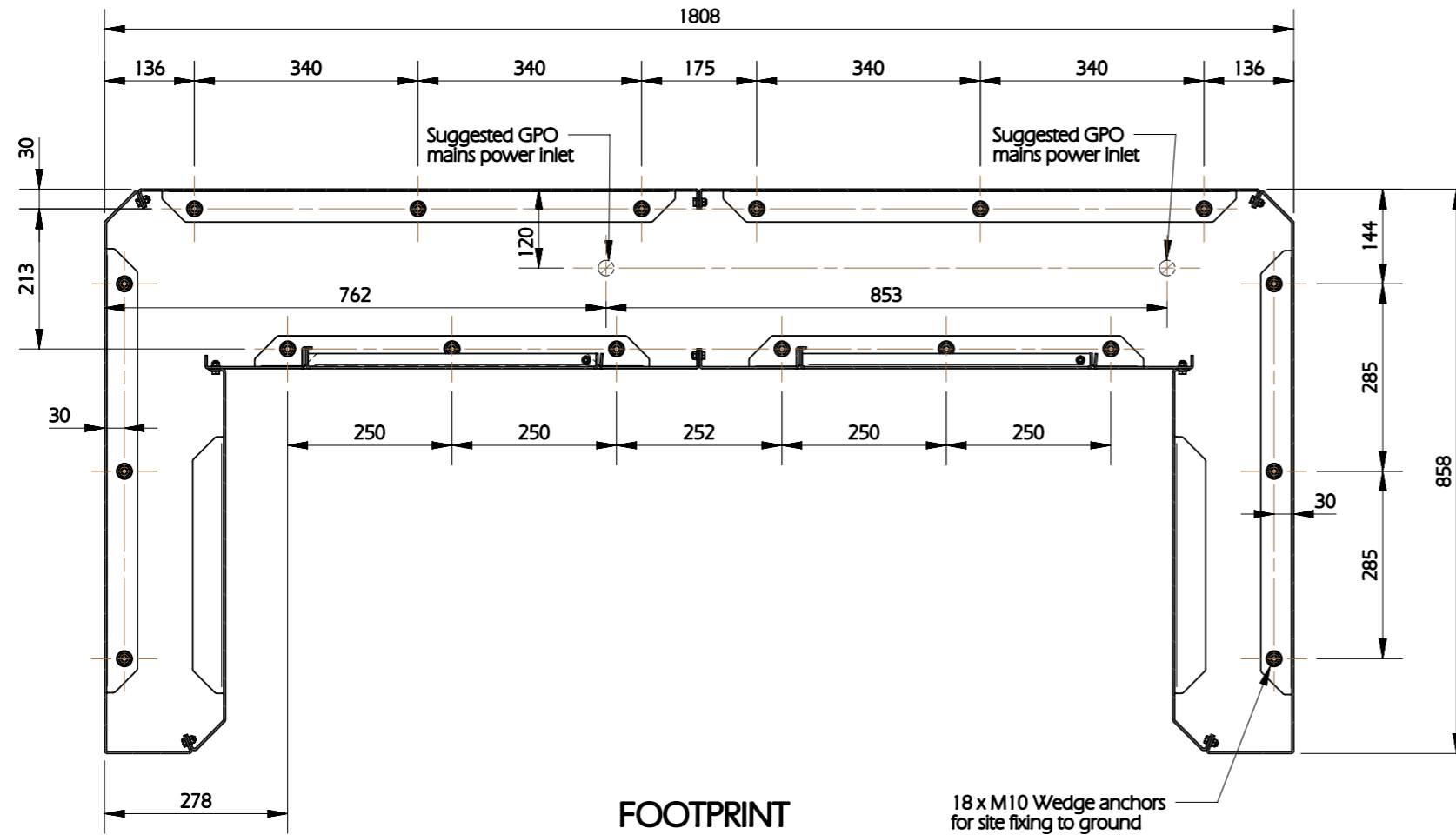
PICTORIAL VIEW



ELEVATION
SCALE 1:20
(FOOTPRINT ON SHT2)



SIDE VIEW
SCALE 1:20



FOOTPRINT
SECTION A-A
SCALE 1:10