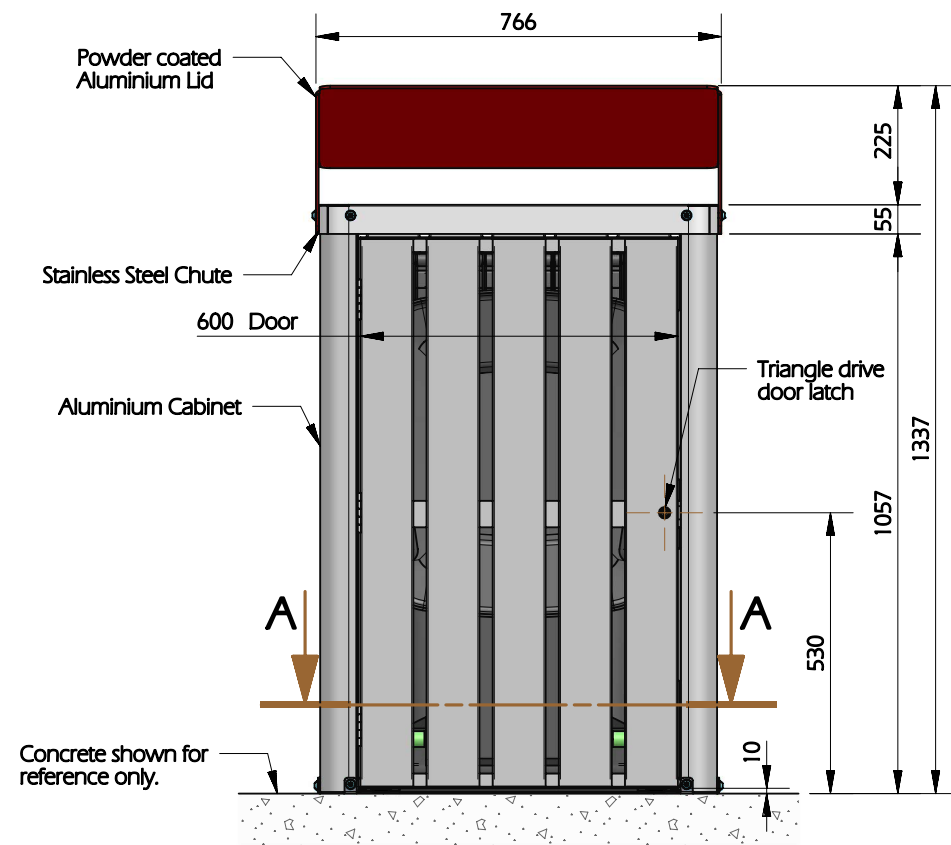


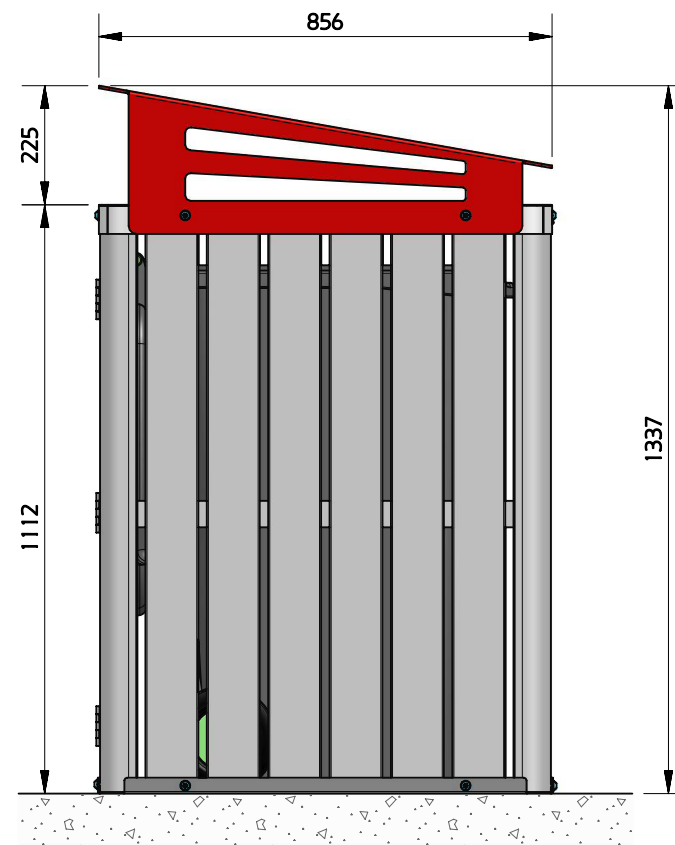
TOP VIEW
SCALE: NTS



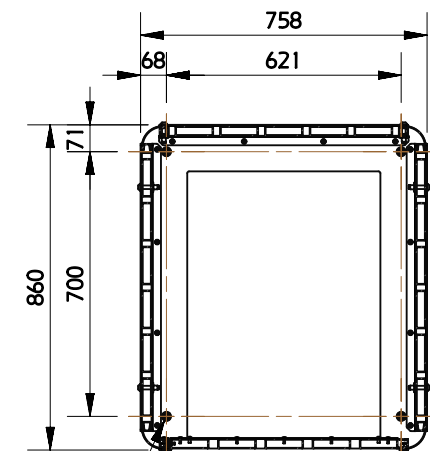
PICTORIAL VIEW



ELEVATION
SCALE: NTS



SIDE VIEW
SCALE: NTS



M10 x 60 Dynabolts
for site fixing to ground

SECTION A-A
SCALE 1:20