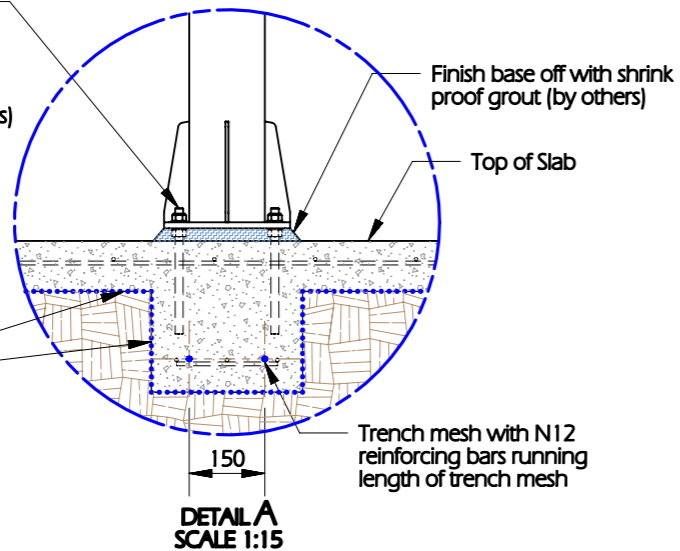


M16 x 250 long threaded rod with Chemset Reo 502 or equivalent into slab. Typical 4 places on each post base. (Chemset Compound by others)



Note: Slab & footings to be lined with 200um Polyethylene (Vinyl) sheet (by others)

DETAIL A
SCALE 1:15

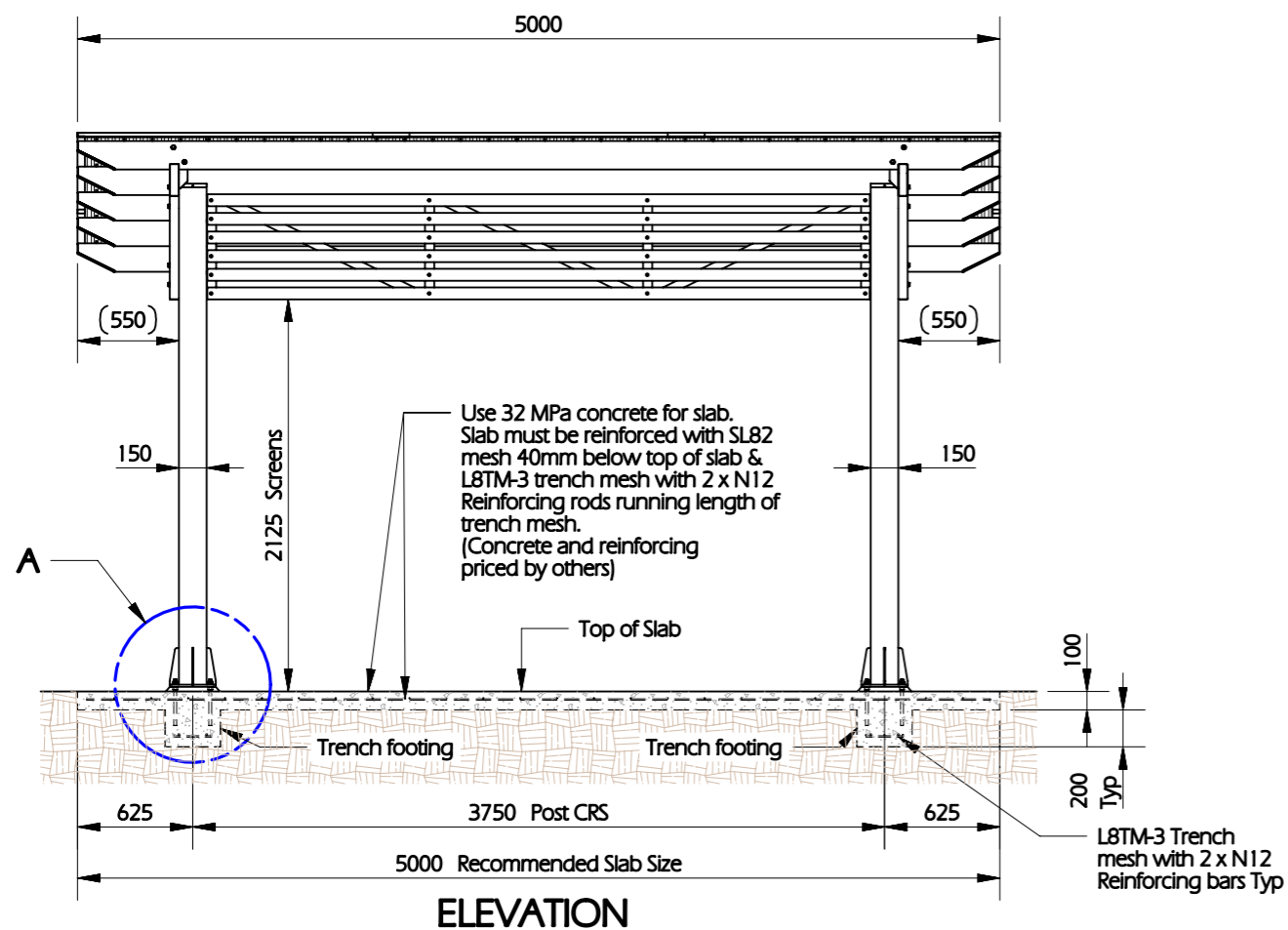
Colorbond Roofing

Concrete and reinforcing priced by others

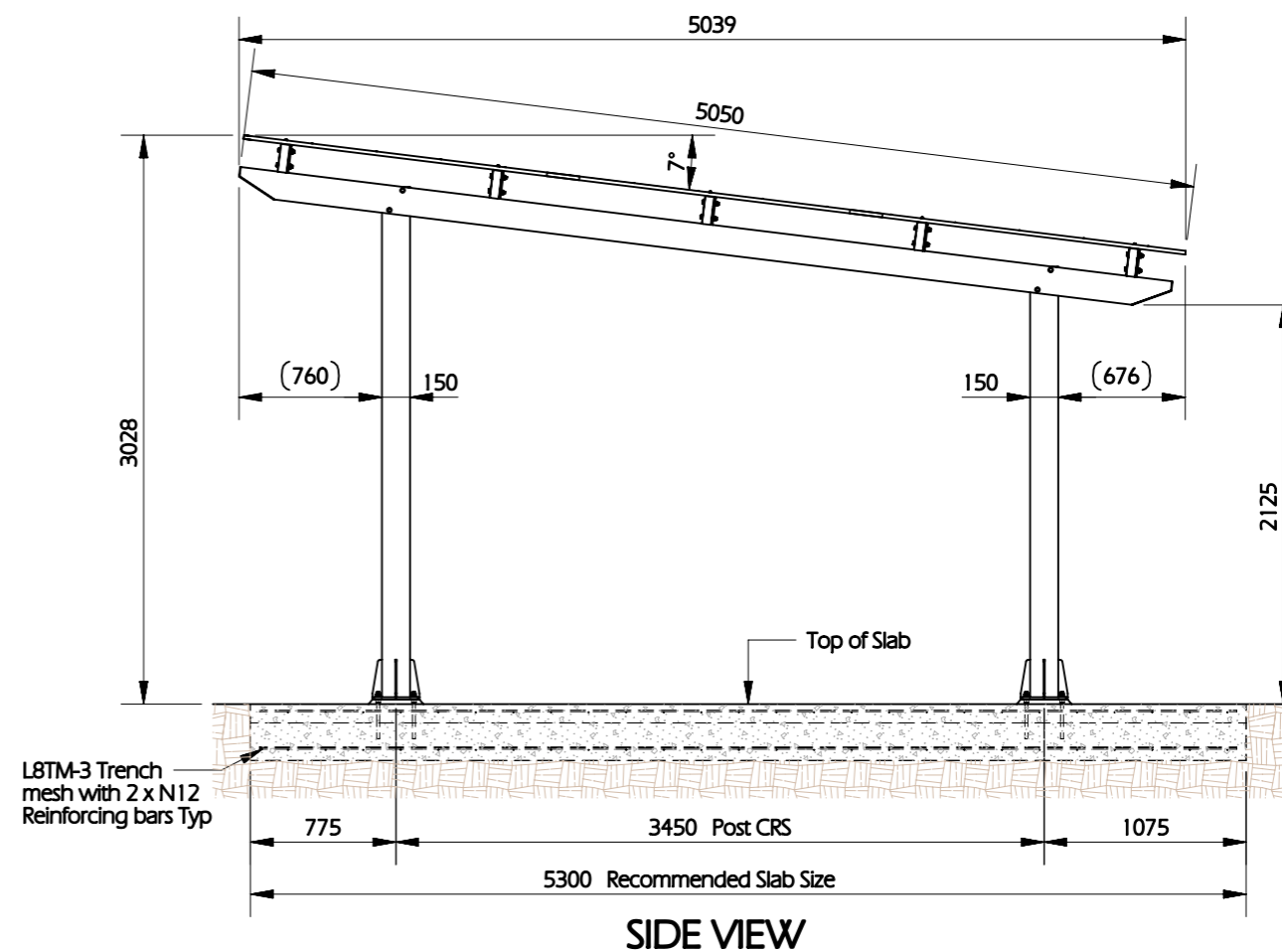
Powder coated aluminium structure & screen



PICTORIAL VIEW



ELEVATION



SIDE VIEW

1. Slab & reinforcing designed for soil Class 'P'
2. Slab & trench footings to be lined with 200um Polyethylene (Vinyl) sheet (by others)
3. Compact subgrade to 95% and minimum bearing capacity of 100kPa. Deepen with 15MPa binding concrete if required.