

EXPECT MORE

Our Easy Access Guide

GX Outdoors



Bringing People Together of all Abilities

To bring people together, GX Outdoors understands the importance of creating spaces that are accessible for everyone.

Using AS1428.1-2009 and AS1428.2-1992 as a guide, our designers work closely with qualified disability access consultants to ensure compliance within the scope of the Disability Discrimination Act (DDA). We undergo extensive consultation with people with disability and their representative organisations.



Where some items may not fall directly under the scope of these standards, they are assessed by an independent disability access consultant and certificates are issued to confirm compliance with the standards and best practices.

Overall, GX Outdoors has a reputation for excellent product design, with decades of experience in not compromising accessibility while still providing excellent durability, safety, and intelligent ergonomics. Continual upgrades also ensure that all furniture is universally accessible.

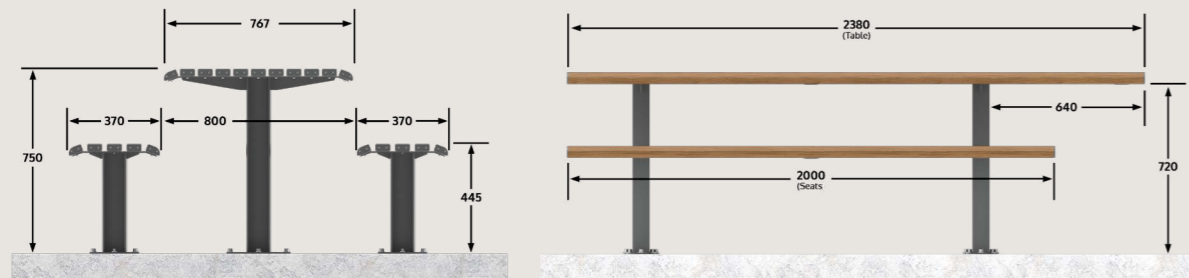
We are experts in our field and work closely with our consultants for information and advice on the DDA ensuring that, as much as possible, all street furniture and BBQ's are accessible to all community members.

Product Dimensions Guide

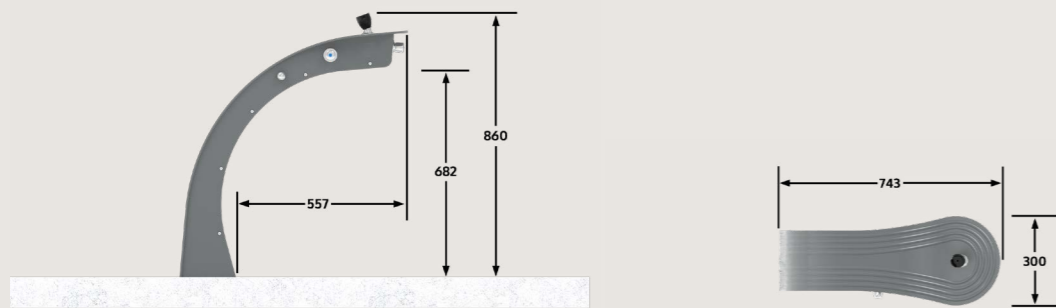
Disability Accessible Street Furniture & Barbeques
 *It is recommended that the size of the concrete slab be 1 meter larger than the outer perimeter of the furniture.



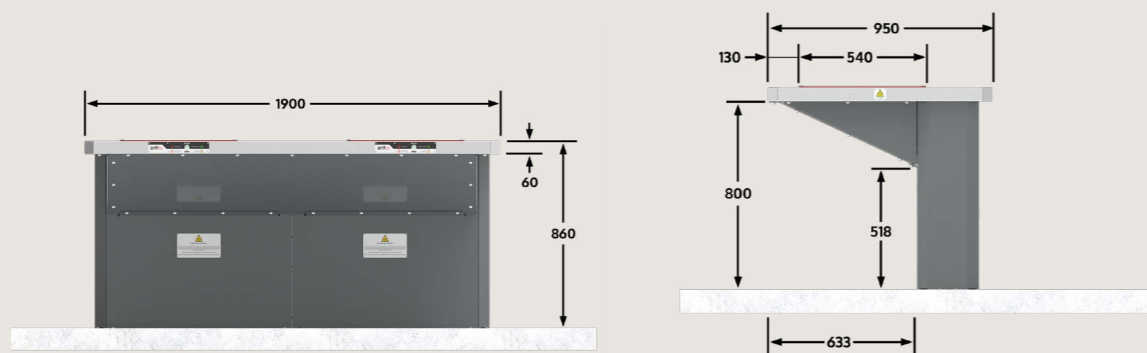
CITISTYLE SEAT



CITISTYLE TABLE SETTING



REVIVA DRINKING FOUNTAIN

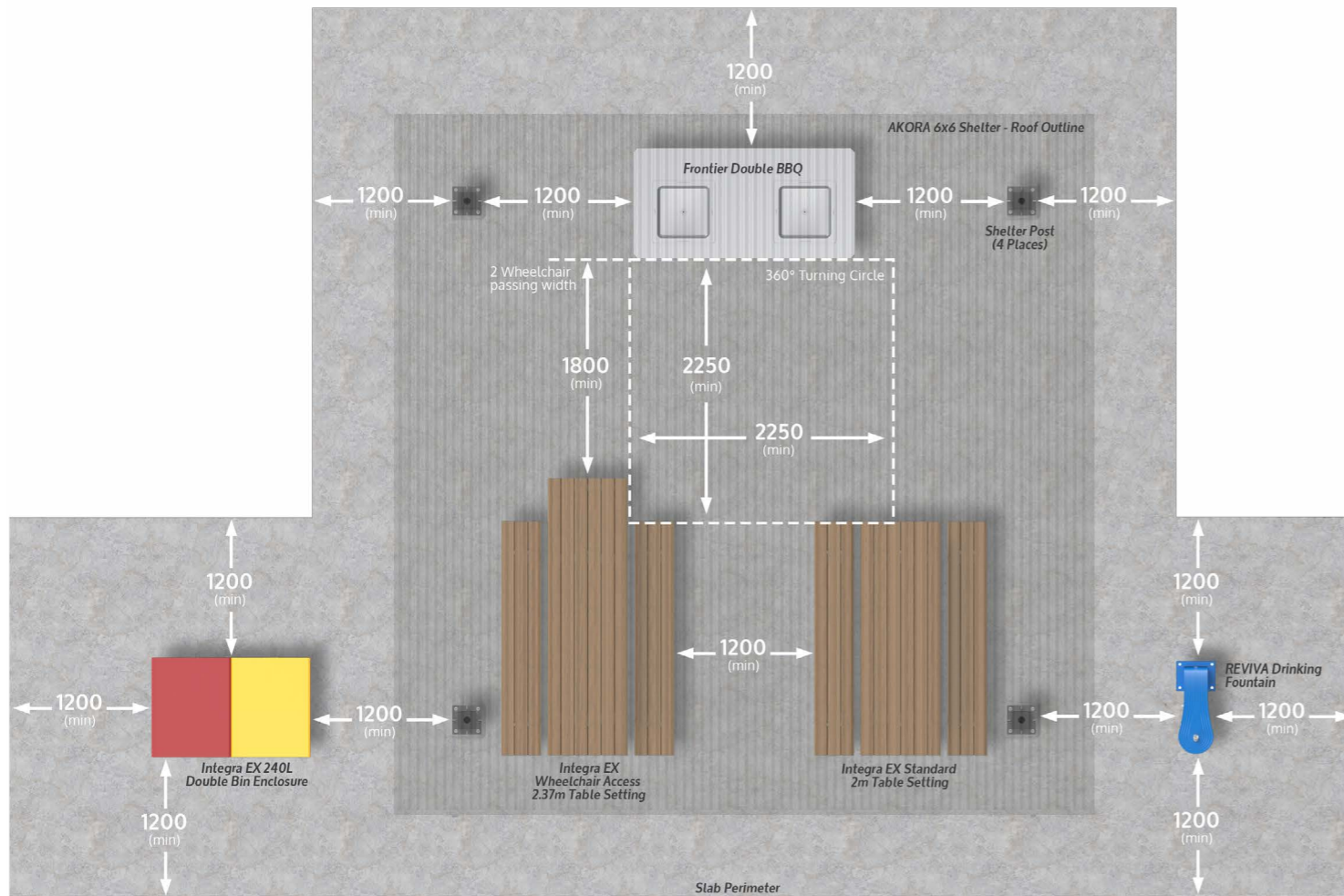


ELITE DOUBLE BBQ



FEATURED PROJECT
 FOREST LAKES, QLD

A General Guide for your Layout



Note

Layout shown is referencing access requirements from Australian Standards AS1428.2 and is to be used as a general guide only.

Each individual layout would need to be reviewed independently for compliance.

GX Outdoors