

**grillex**<sup>®</sup>  
together outdoors

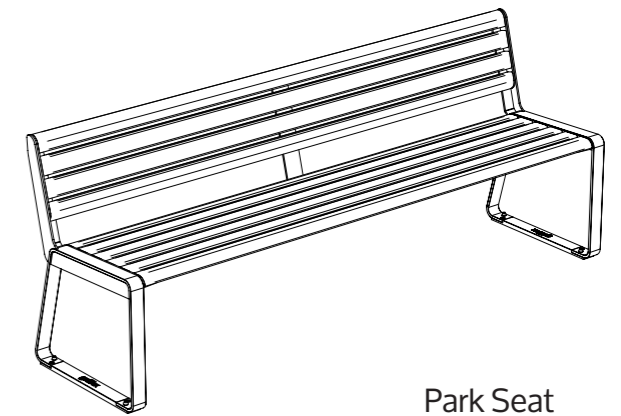
Moda Range



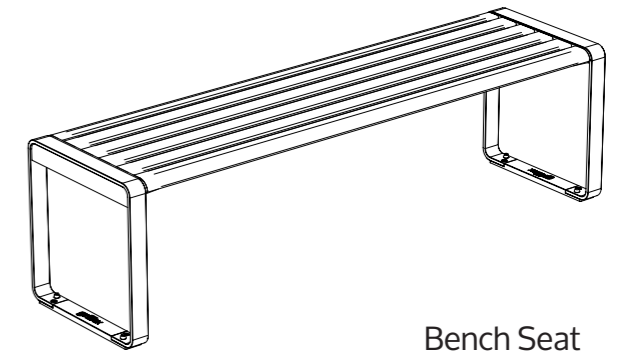




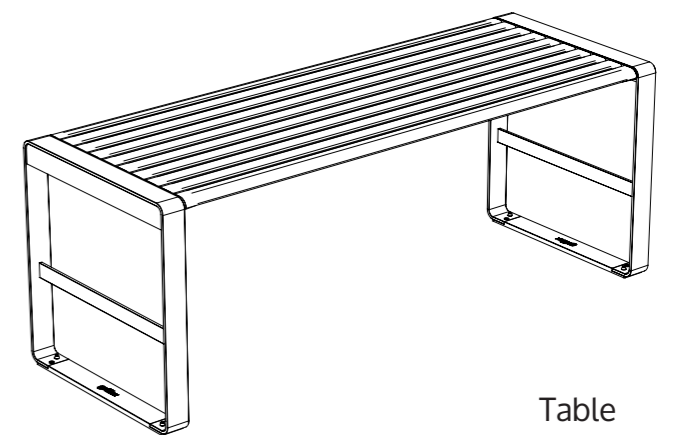
# The Range



Park Seat



Bench Seat



Table



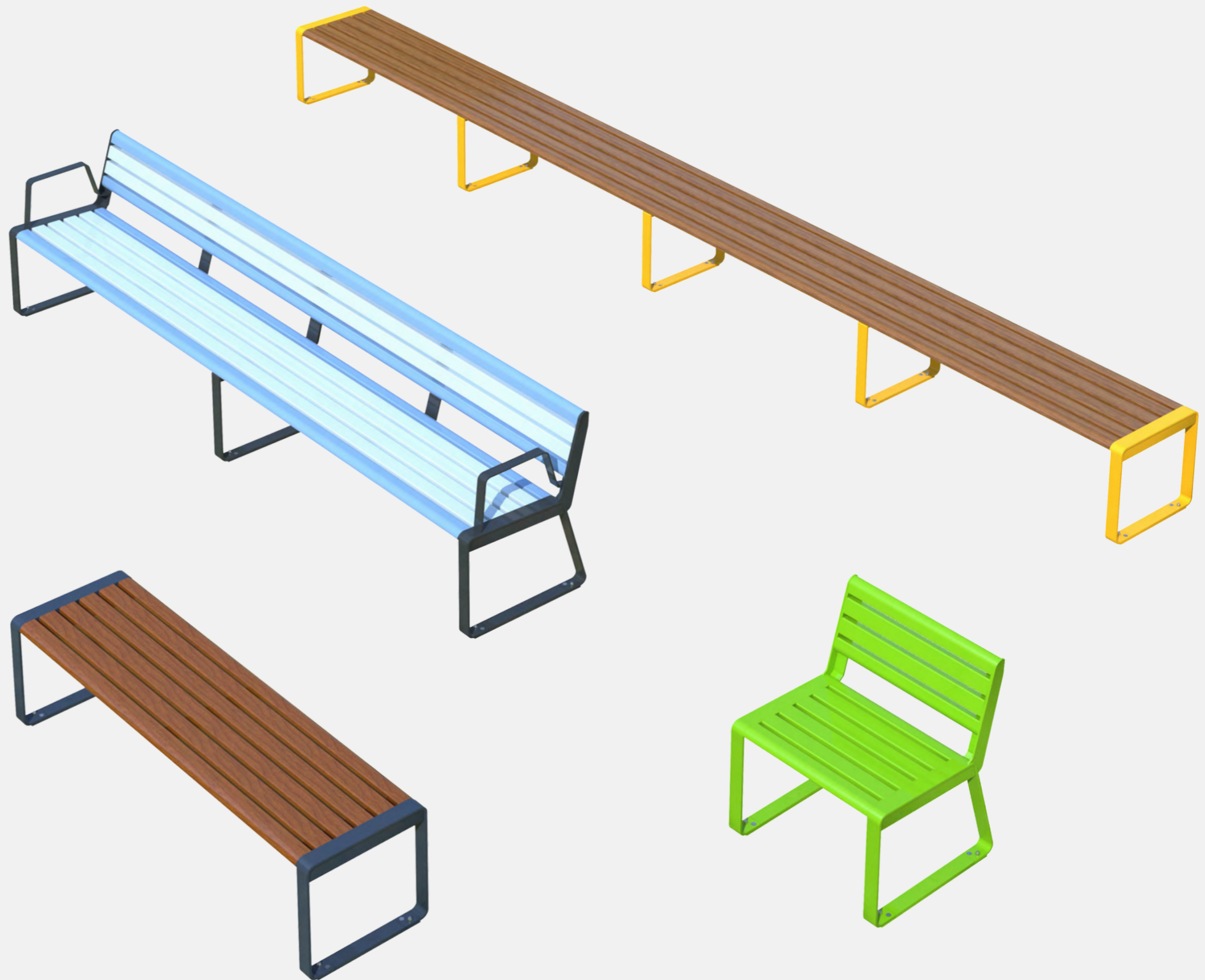
# Finding Your Best Fit

The MODA Seat range is offered in various standard lengths, but can be customised to suit your projects needs.

The Seating range offers both Bench Seats and Park Seats. (Park Seats come with or without Armrests)

## Available Lengths:

■ **Standard lengths** | 600mm, 1000mm, 1300mm, 1600mm, 1800mm, 2000mm, 2600mm, 3000mm, 3600mm, 4000mm, 5000mm, 6000mm



# Endless Configurations

The MODA Table range can be configured to suit any environment or project design. Whether you prefer a simple one piece bench or a split seating arrangement, the options are endless. Bench Seats and Park Seats (without armrests) can be placed in any location next to a table. To provide wheelchair access, wheelchairs can be placed on the side of the table where a seat will be removed/changed to a smaller length. The table can be configured to accommodate a wheelchair at the end of the table.

## Table lengths available:

- **Standard** | 1m, 2m, 3m, 4m, 5m, 6m
- **Wheelchair Access one end** | 2m only
- **Wheelchair Access both ends** | 2.4m, 3m, 4m, 5m, 6m

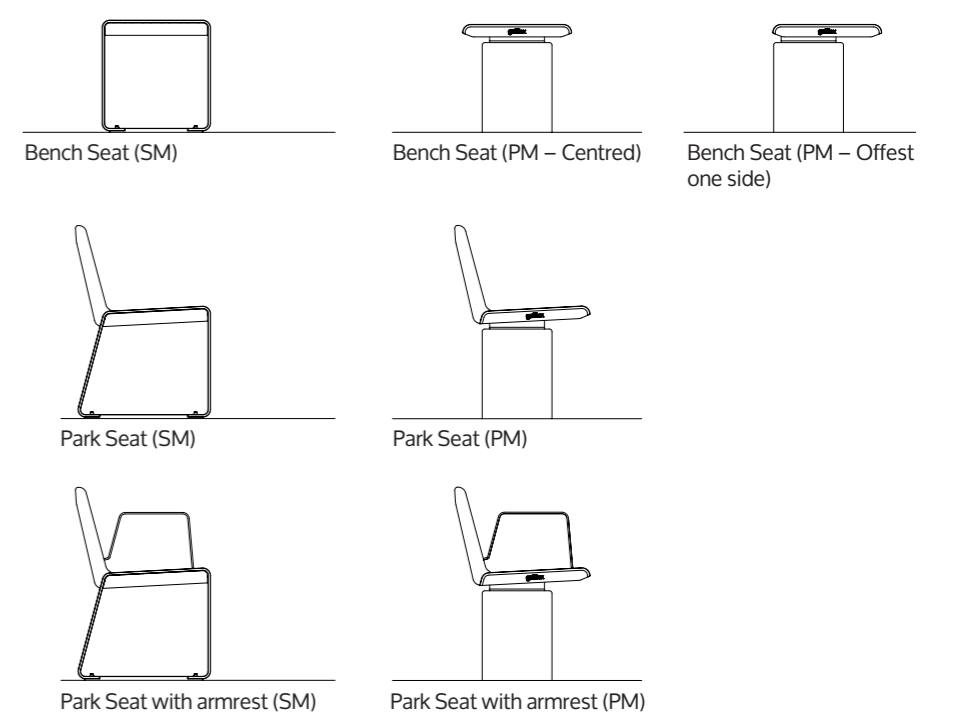






# Mounting

Both MODA Park Seat and Bench Seat can be surface mounted (SM) or plinth mounted (PM).



Side View

The Park Seat with Armrests are DDA compliant and meet the Australian Standard for Accessibility (AS1428.2)



# Why Moda?



- Blue Weave
- Periwinkle
- Night Sky

100% Australian  
Made

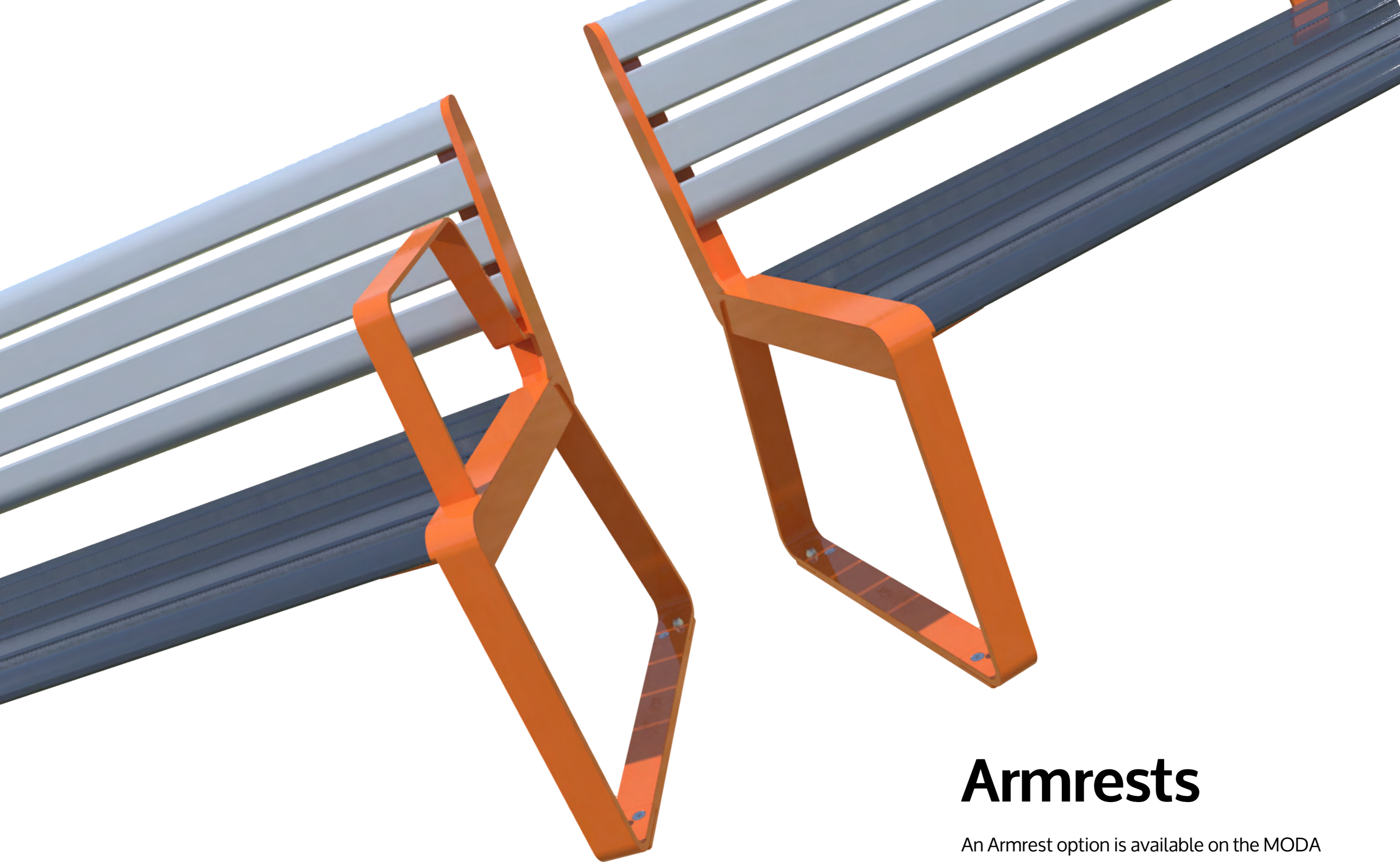
Fully Welded Powder  
Coated Marine Grade  
Aluminium Frames

Slimline  
Design

Stainless Steel  
Anti-Theft Fixings

Fully Closed Insect  
& Vermin Resistant  
Extrusions





# Armrests

An Armrest option is available on the MODA Park Seat.



# Wheelchair Access

Wheelchair access is available on seating from either – 1 end, both ends, or from the side.

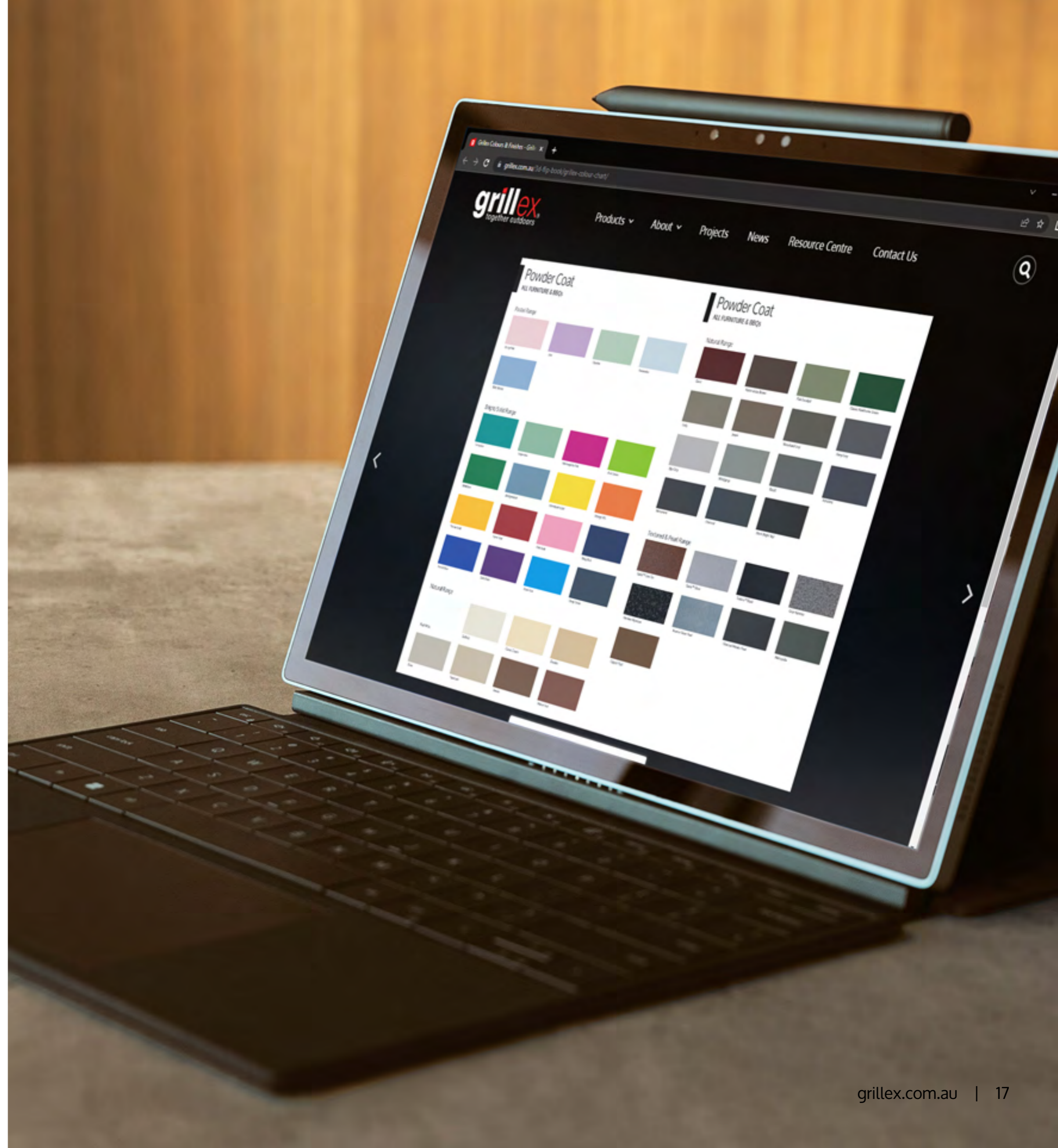




# Visually Appealing

- Pastel Powder Coat
- Earthy Tones
- Bold & Bright
- TimberImage

[View Colours](#)









**grillex**<sup>®</sup>  
together outdoors

[www.grillex.com.au](http://www.grillex.com.au)

1300 552 102



Follow us

