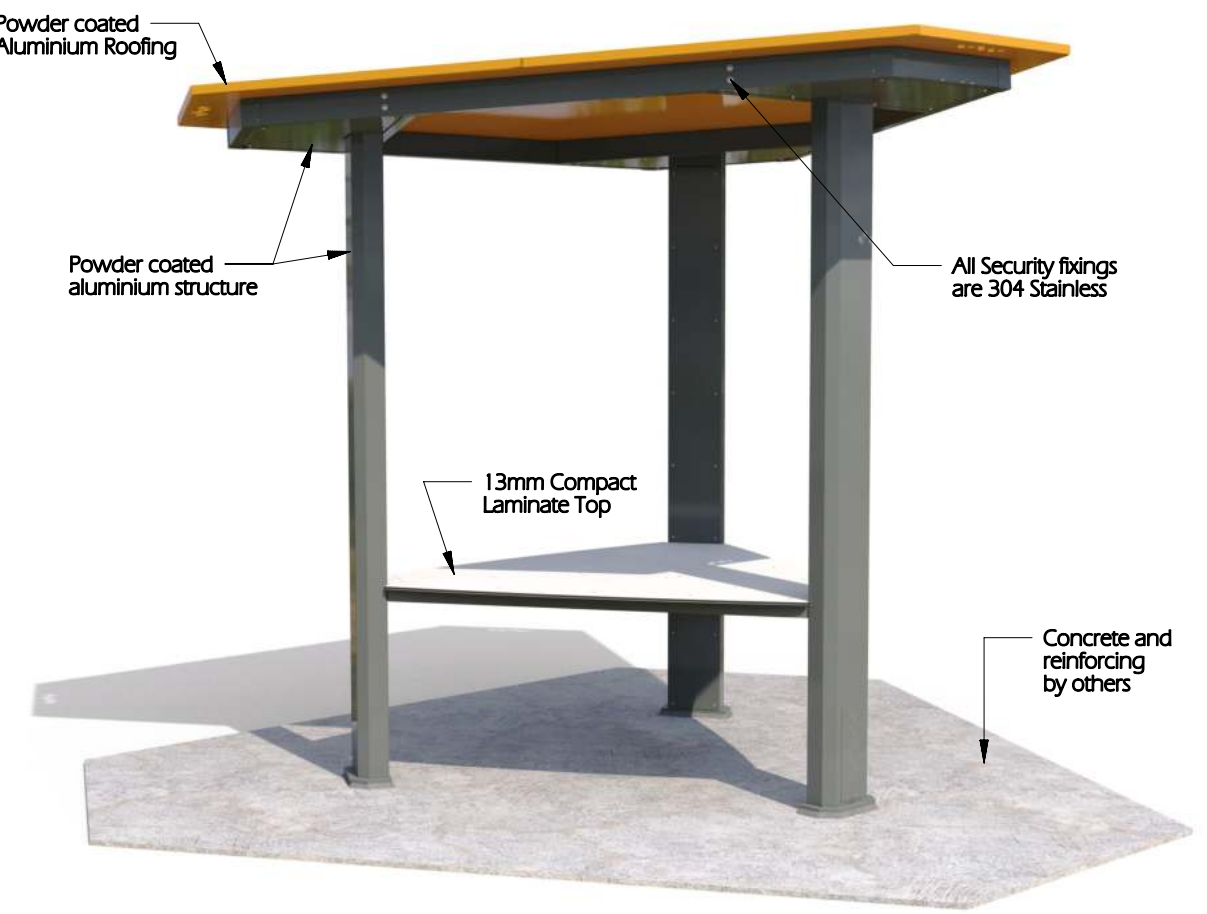
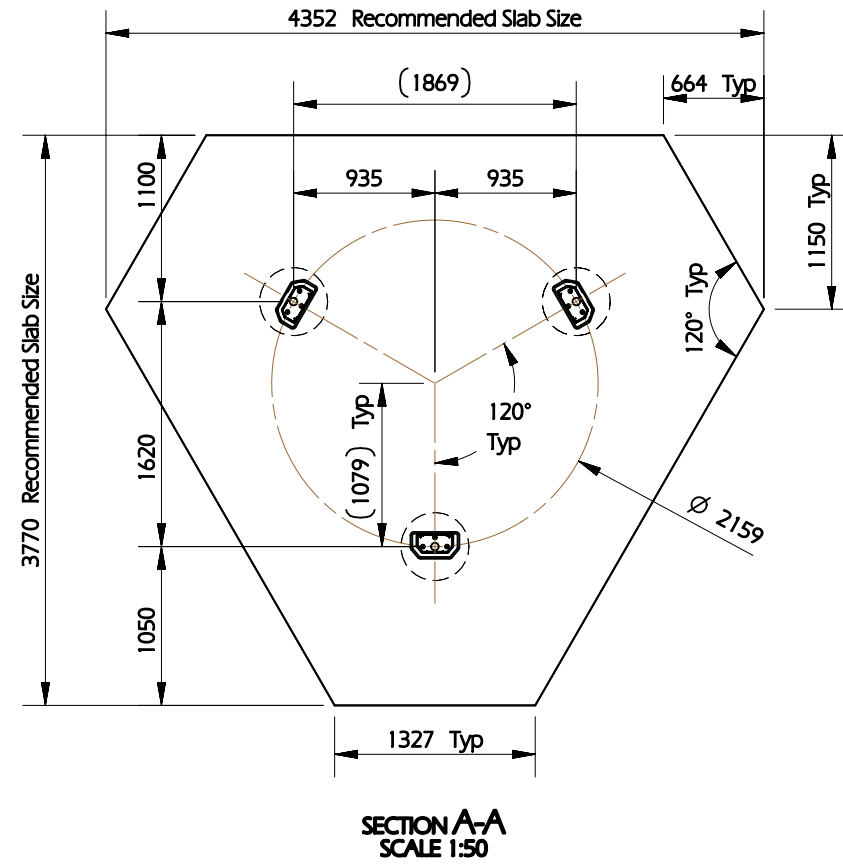
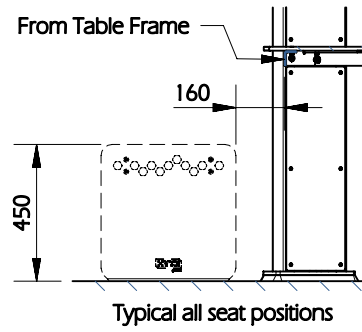
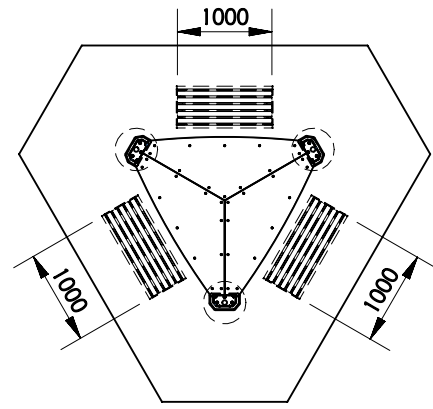
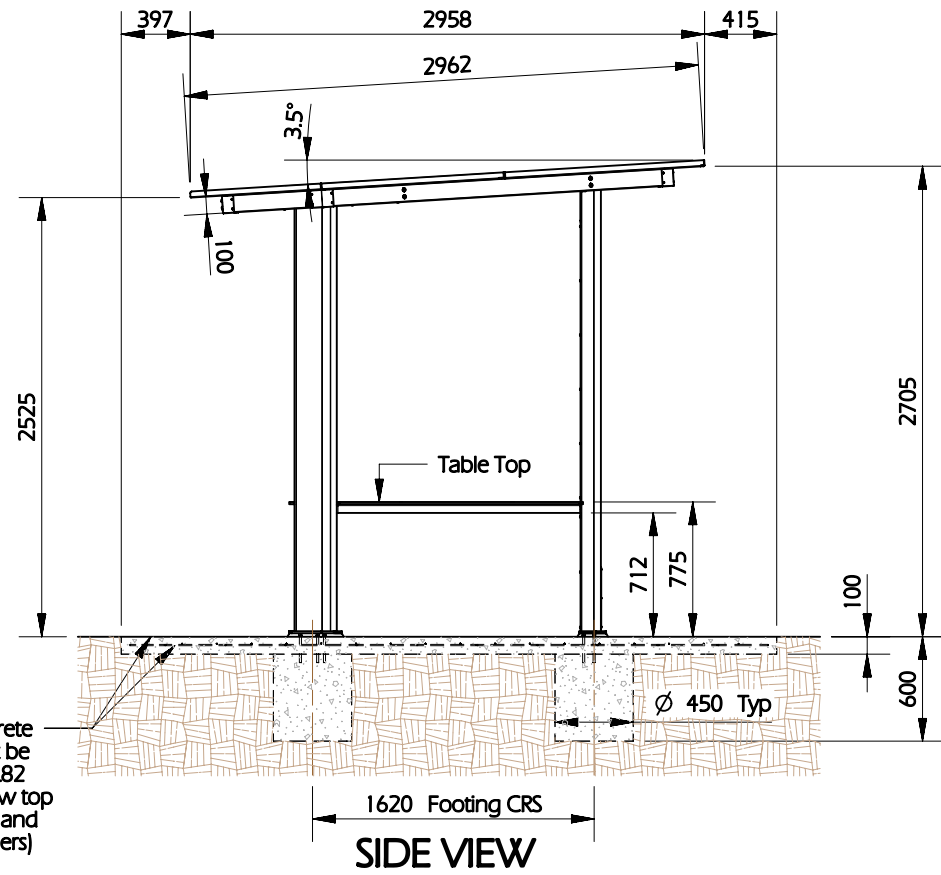


RECOMMENDED SEAT POSITIONS

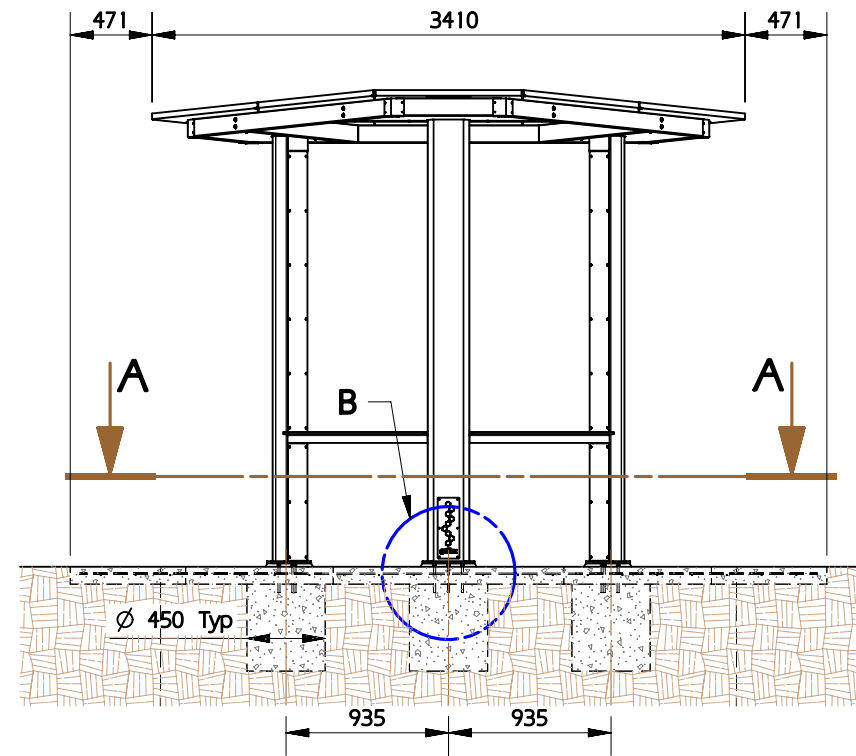


PICTORIAL VIEW

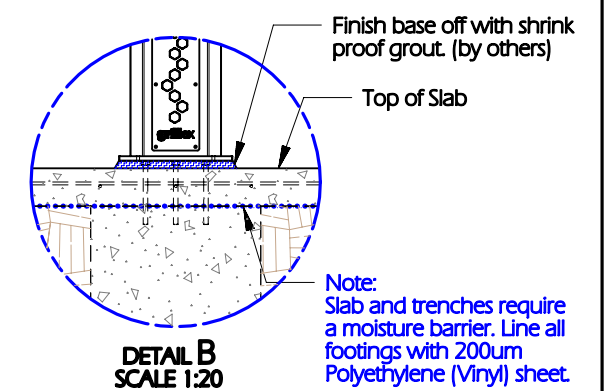


Use 24 MPa concrete for slab. Slab must be reinforced with SL82 mesh 40mm below top of slab. (Concrete and reinforcing by others)

SIDE VIEW



ELEVATION



DETAIL B SCALE 1:20

GENERAL NOTES:

1. Slab & reinforcing designed for soil Class "P"
2. Slab & trench footings to be lined with 200um Polyethylene (Vinyl) sheet (by others)
3. Compact subgrade to 95% and minimum bearing capacity of 100kPa. Deepen with 15MPa binding concrete if required.