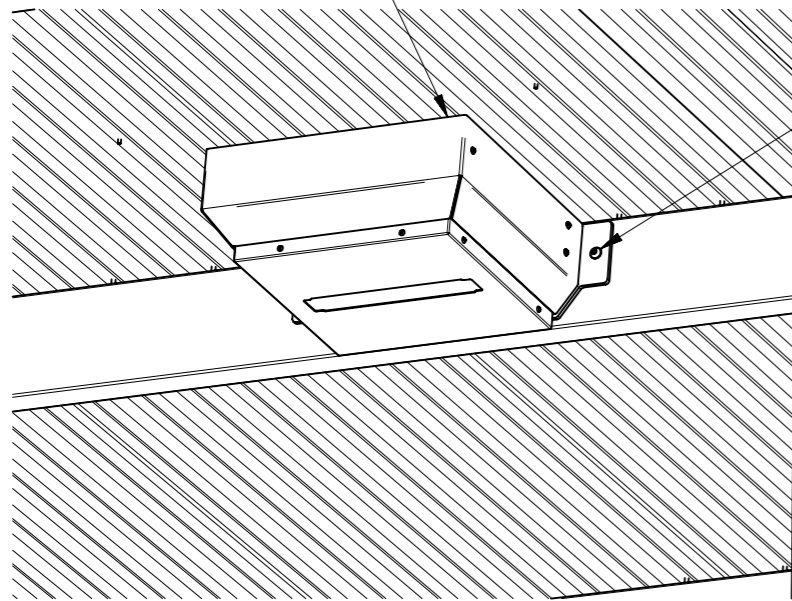
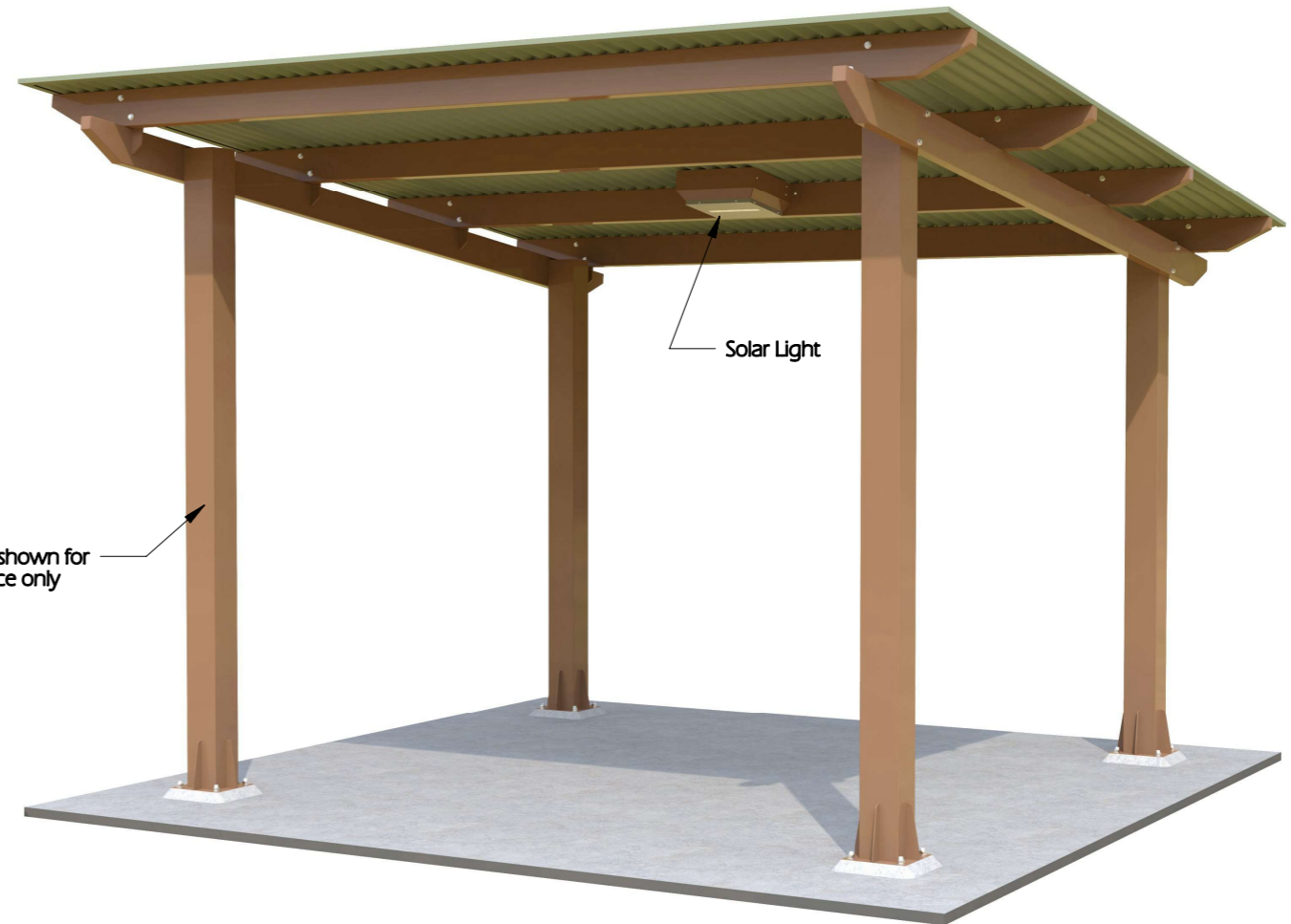


Light fixture can be positioned onto any roof beam, in any location

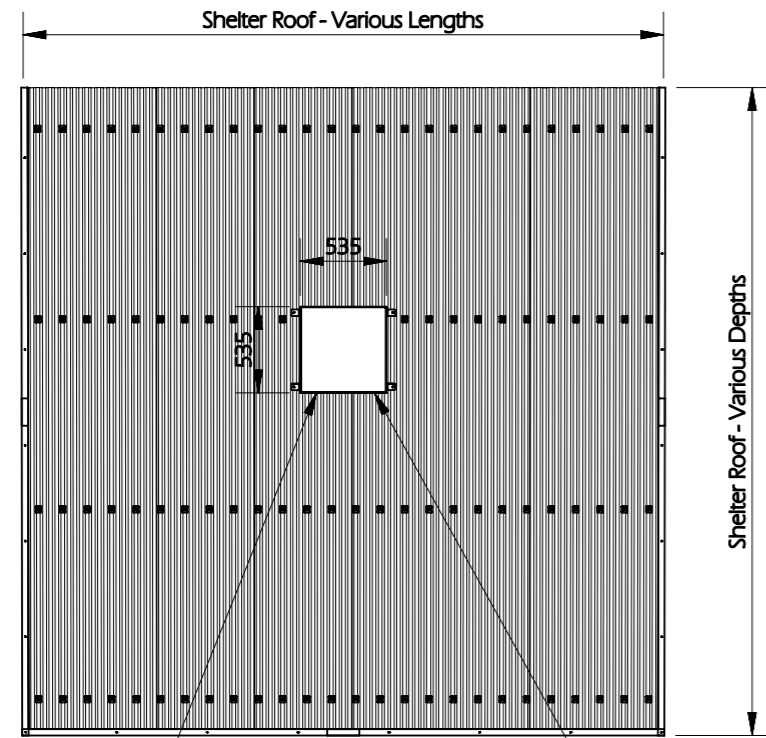


Light fixture attached to roof beam using 2 x Button HD Post Torx Screws M8 x 70.

LIGHT INSTALLED ONTO 150mm ROOF BEAM



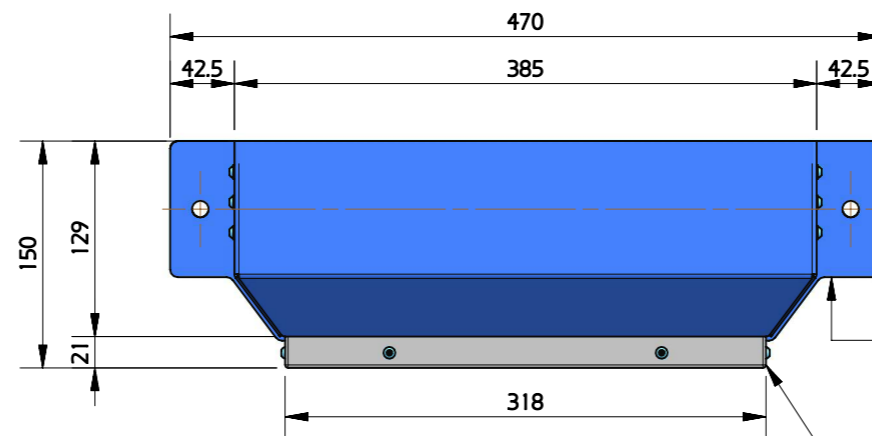
PICTORIAL VIEW



Hole for cabling to be cut on high point of roof sheet ridges, directly above light fixture

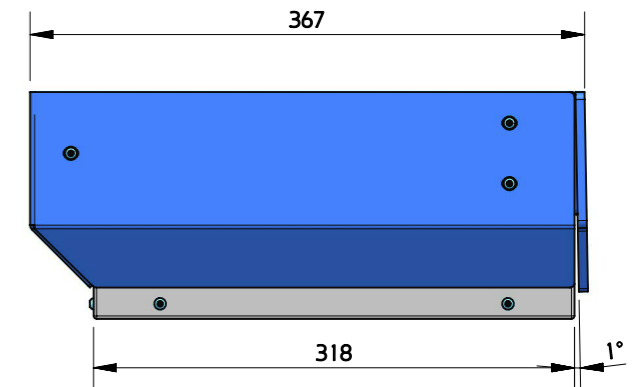
SOLAR PANEL

Solar panel is positioned directly over light fixture



ELEVATION
SCALE 1:5

SOLAR PANEL AND ROOF FIXINGS HIDDEN



SIDE VIEW
SCALE 1:5

SOLAR PANEL AND ROOF FIXINGS HIDDEN