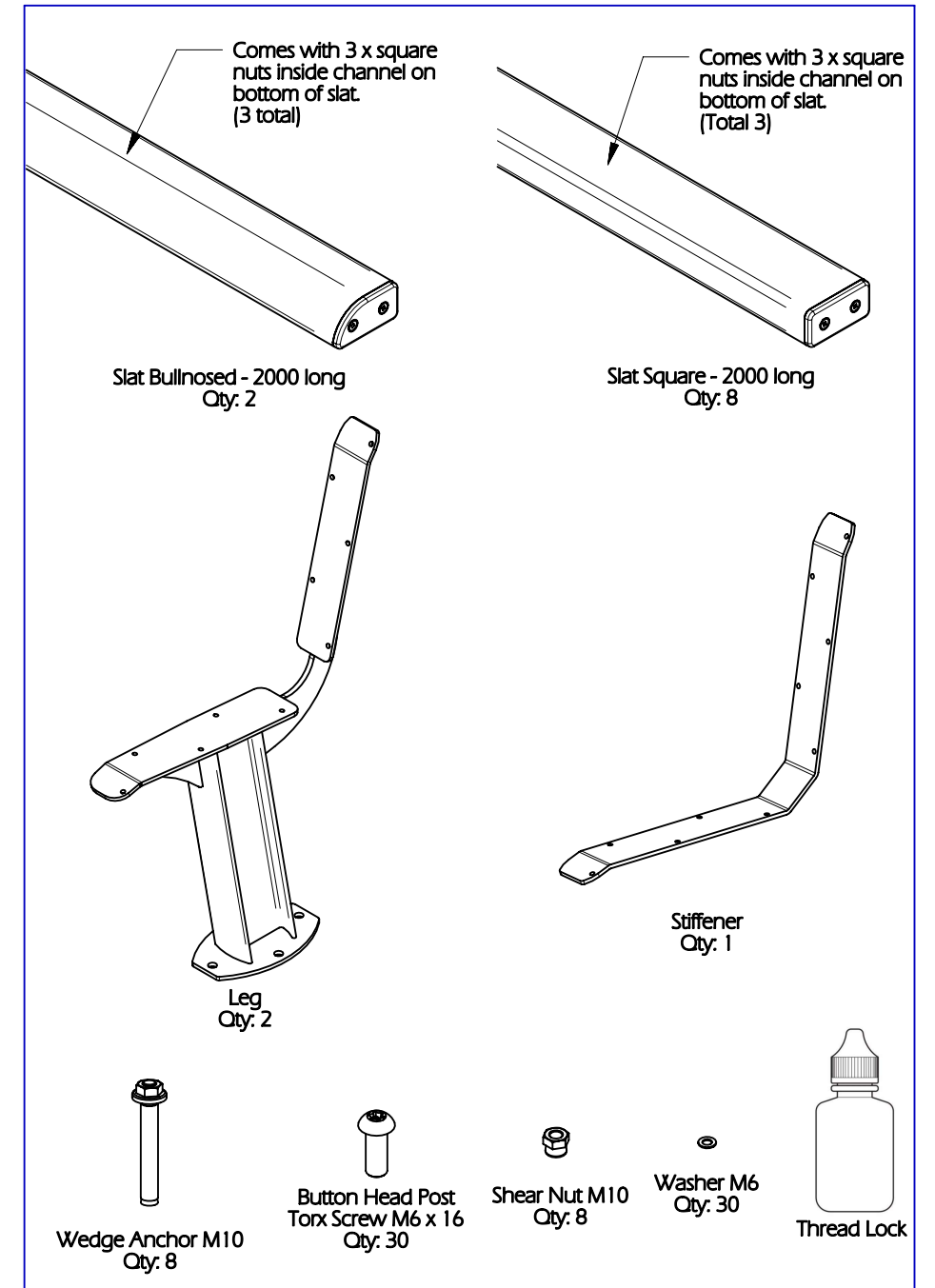


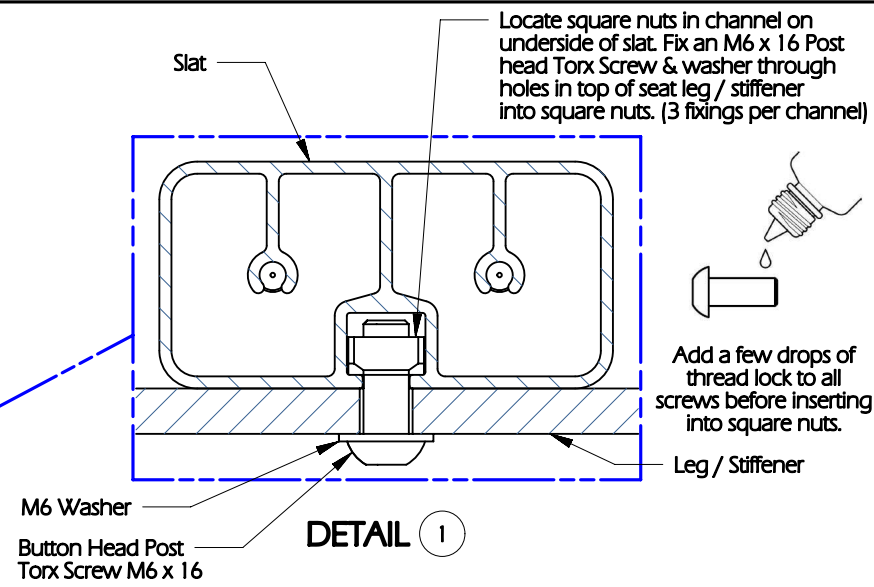
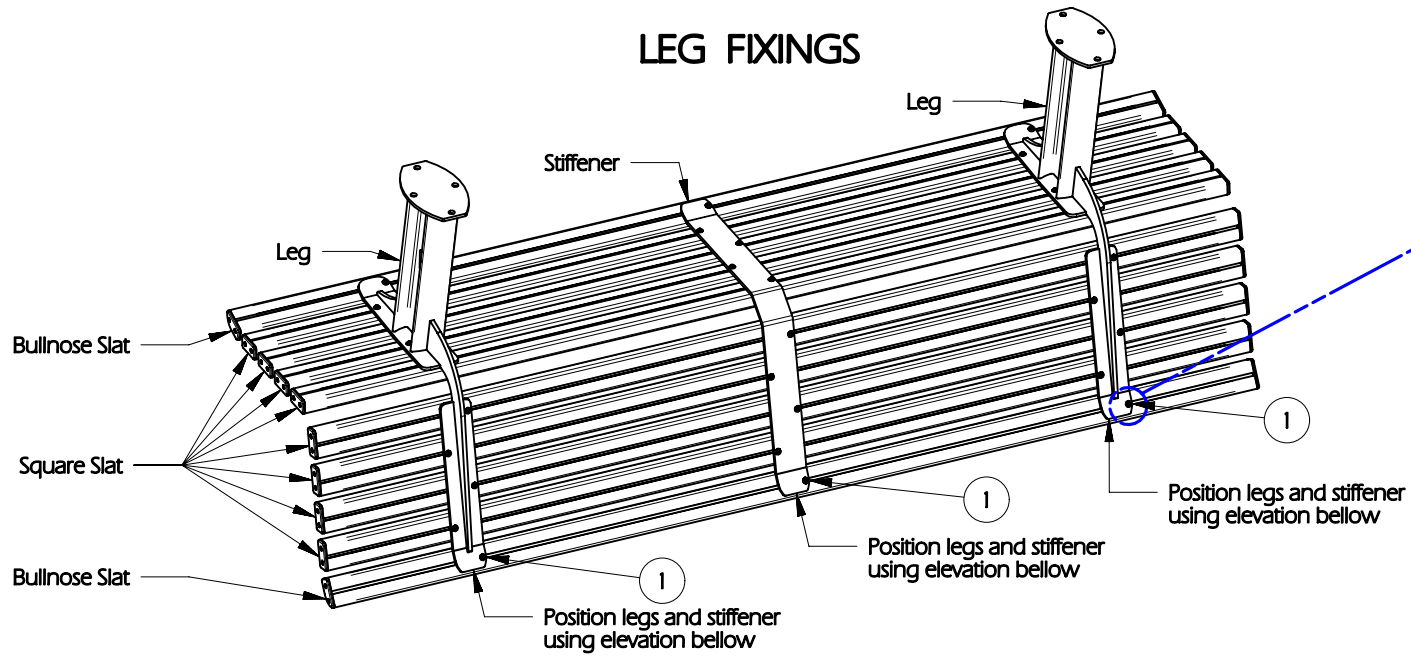
FLAT PACK CONTENTS
(NOT TO SCALE)



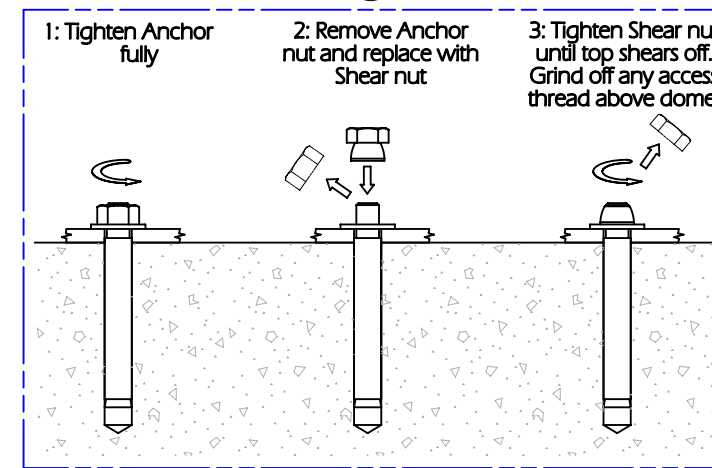
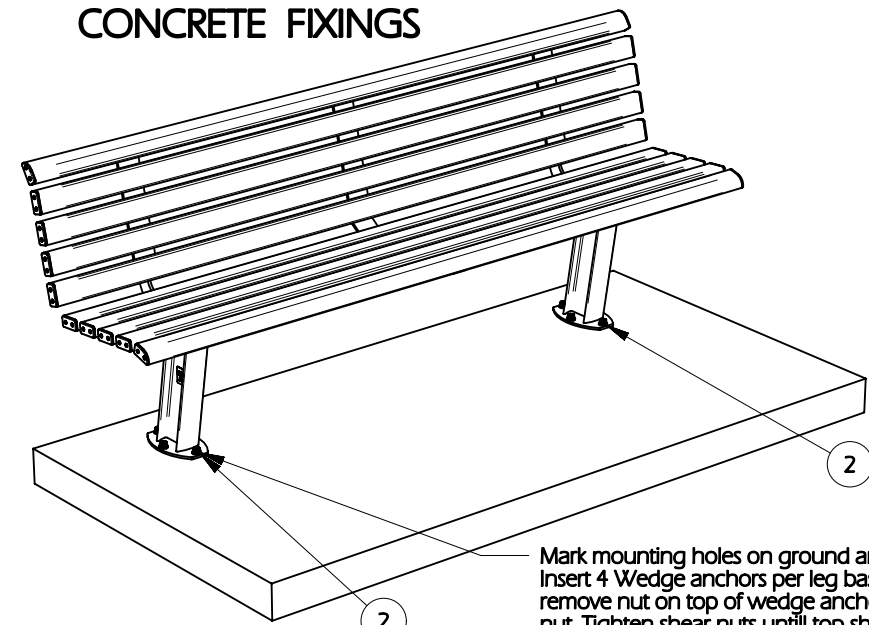
REV	DATE	BY	DESCRIPTION
0	05OCT21	MH	ISSUED FOR INSTALLATION

DRAWN: MH	SCALE: AS SHOWN	SHT OF 2
	DATE: 05OCT21	A3
DRAWING No. CPS-SM-DEL-003-ID		REVISION 0

LEG FIXINGS



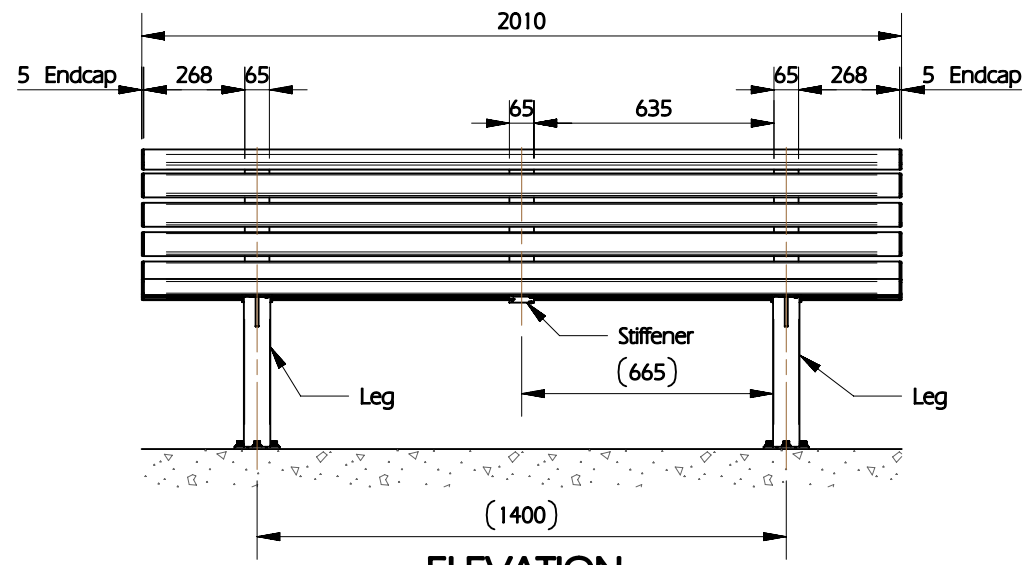
CONCRETE FIXINGS



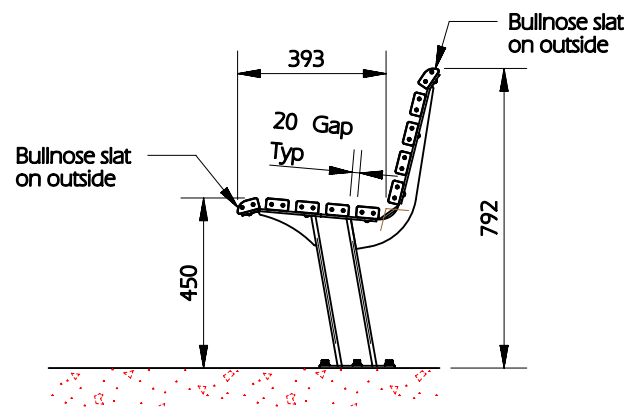
DETAIL 2



TOP VIEW
SCALE 1:20



ELEVATION
SCALE 1:20



SIDE VIEW
SCALE 1:20

REV	DATE	BY	DESCRIPTION
0	05OCT21	MH	ISSUED FOR INSTALLATION