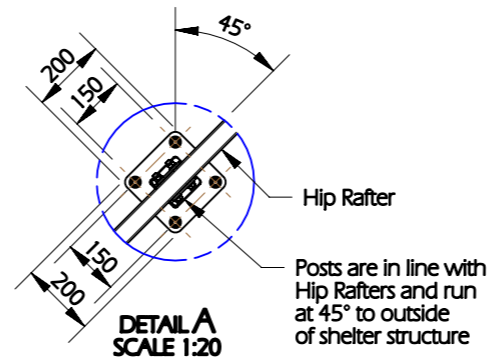
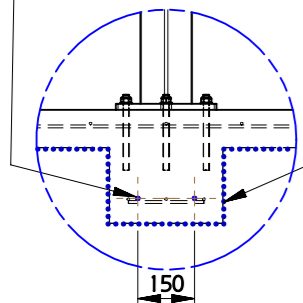


TOP VIEW
SCALE 1:50



DETAIL A
SCALE 1:20

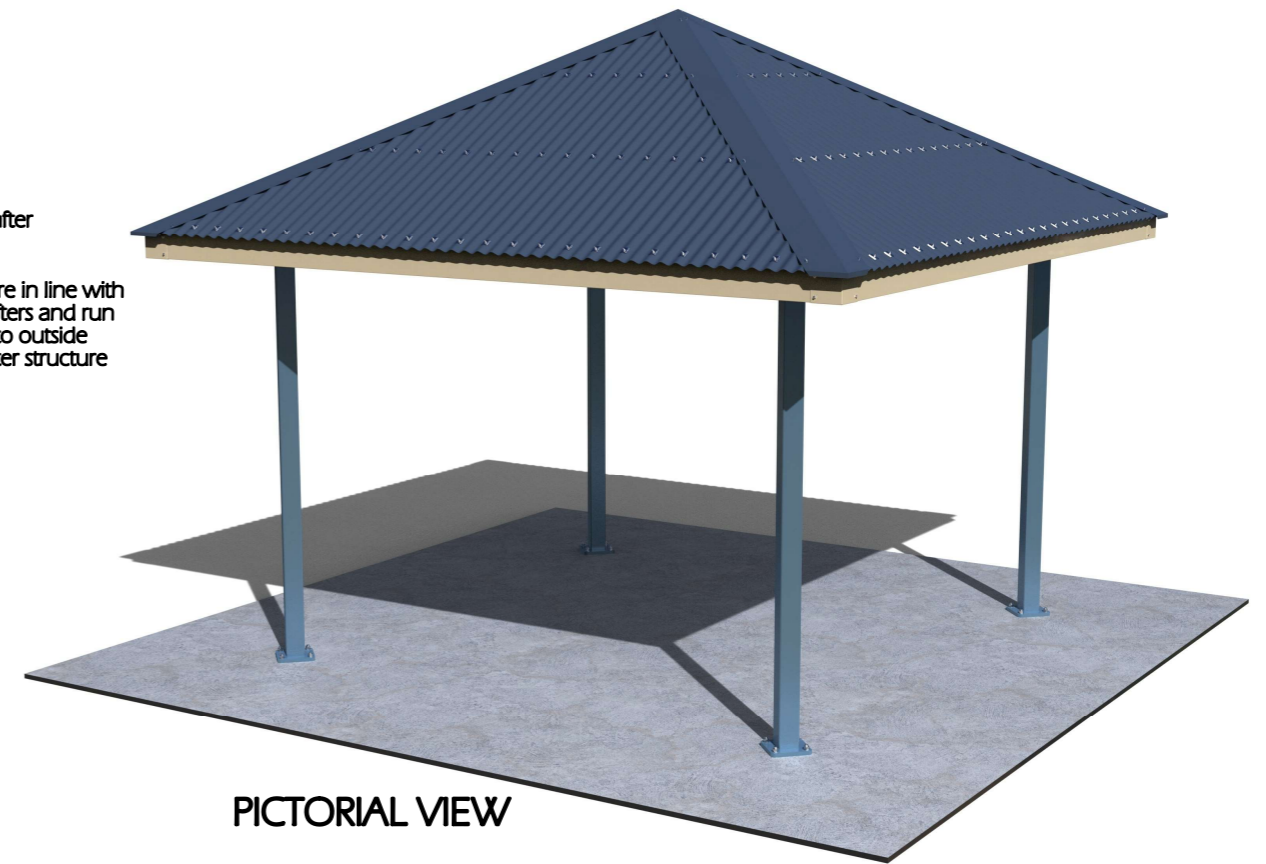
2 x N12 Reinforcing bars running length of slab per trench (4 Total)



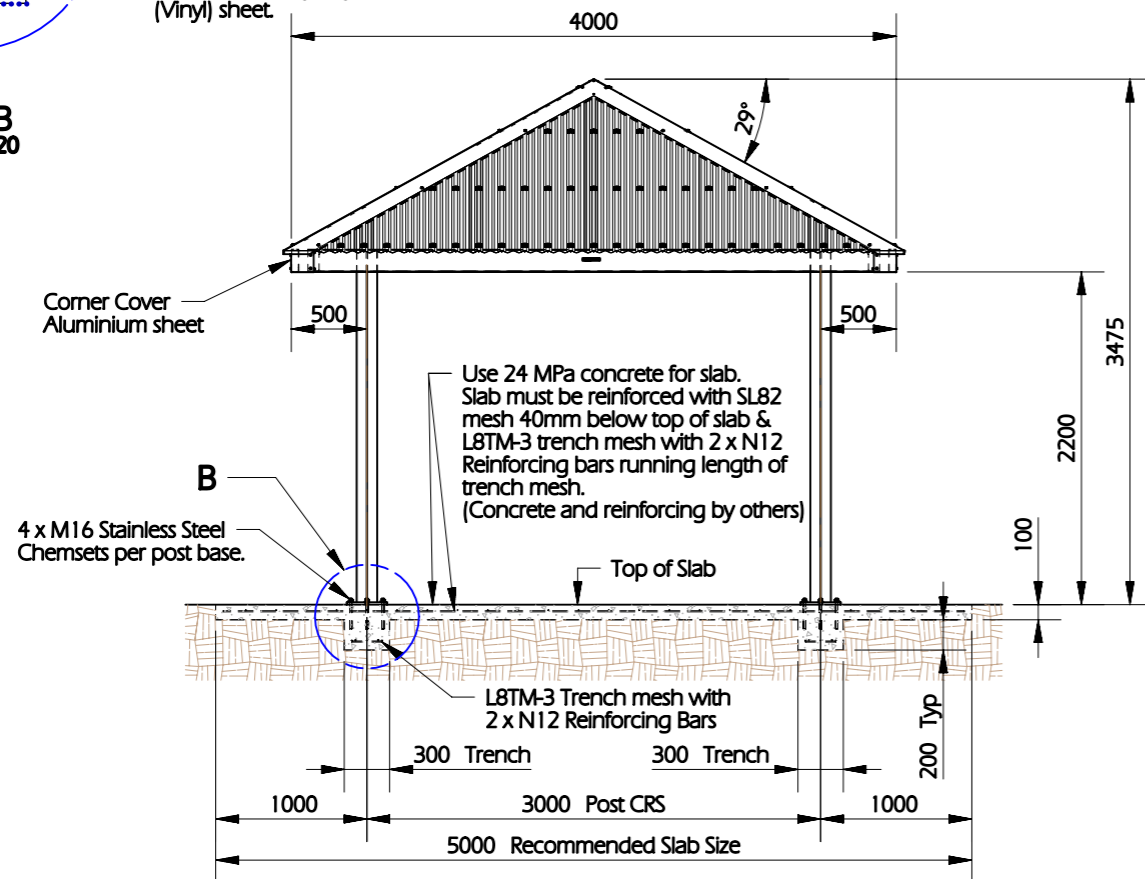
DETAIL B
SCALE 1:20

Note:
Slab and trenches lined with 200um Polyethylene (Vinyl) sheet.

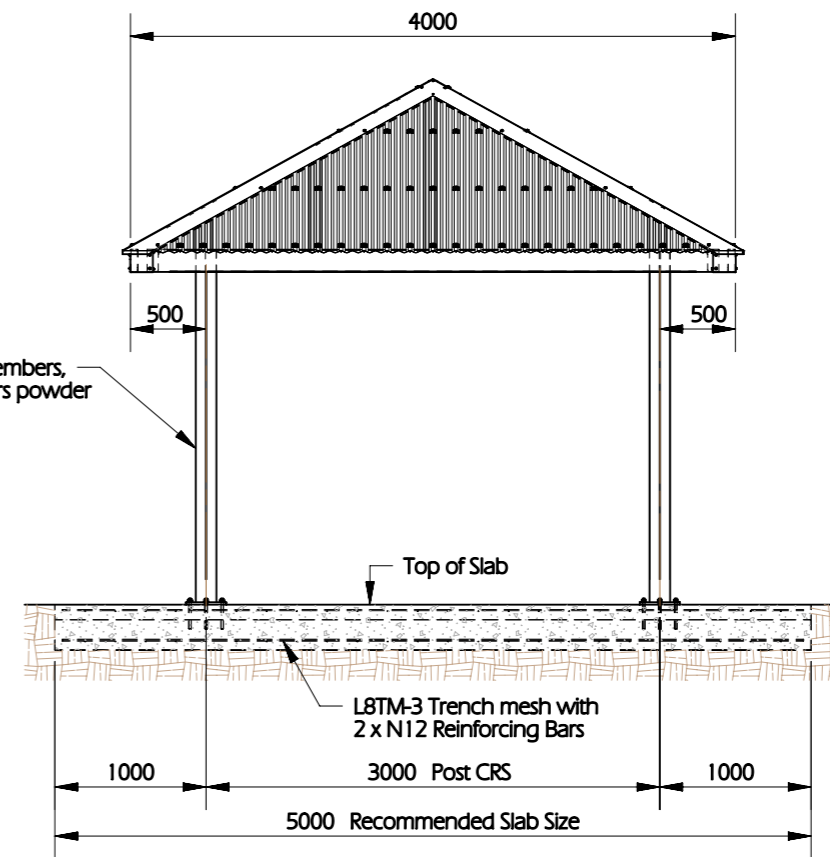
Galvanized Roofing screws with cyclone washers
Custom Orb roof sheeting and 150x150 ridge capping.



PICTORIAL VIEW



ELEVATION
SCALE 1:50



SIDE VIEW
SCALE 1:50