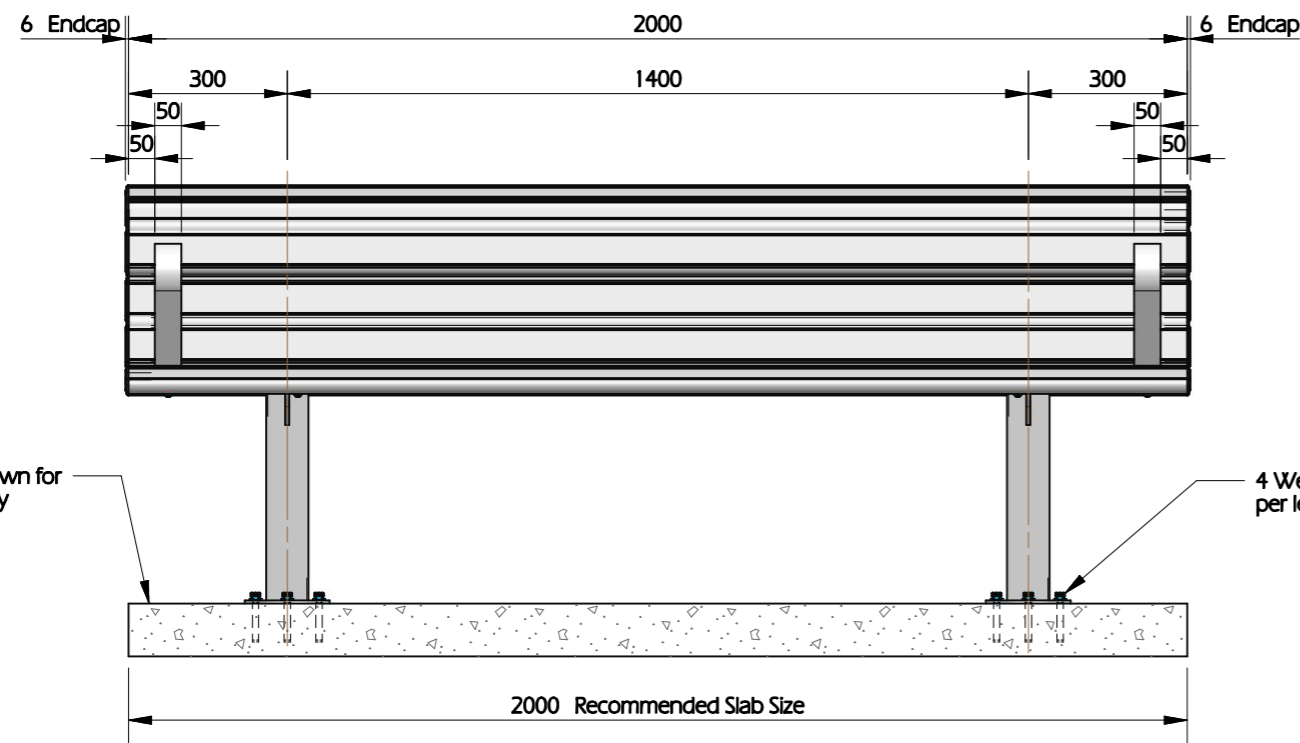


TOP VIEW



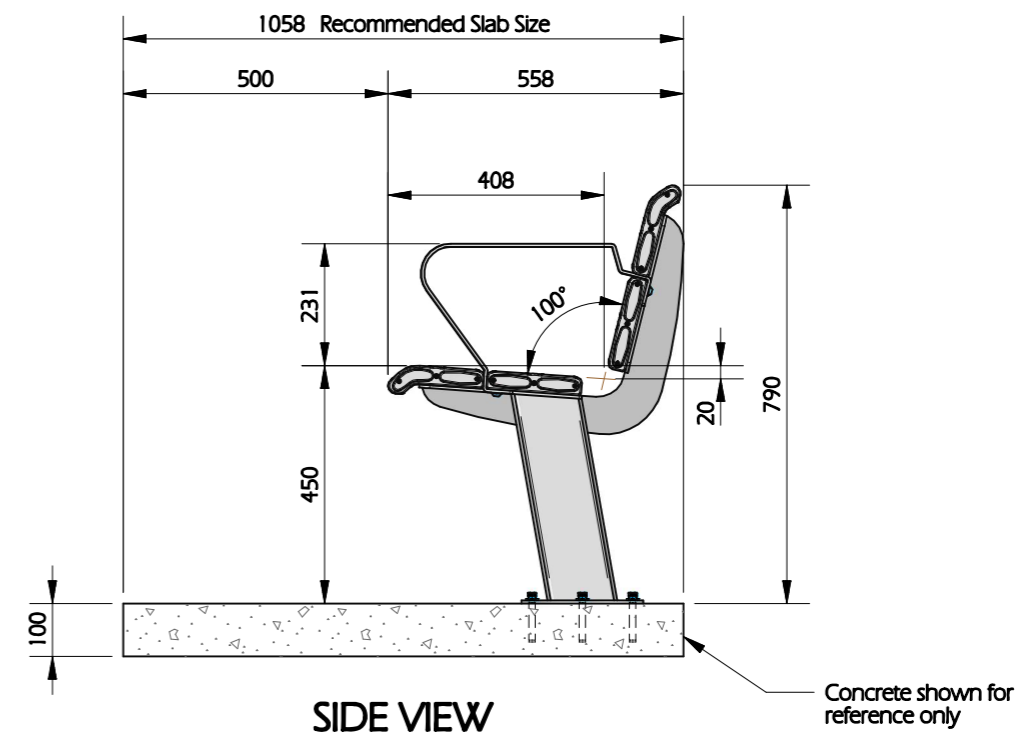
PICTORIAL VIEW



Concrete shown for reference only

4 Wedge anchors per leg base.

ELEVATION



SIDE VIEW